



EXCLUSIVE

SPIDER LIFTS AT A HIGHER LEVEL FOR 40 YEARS

FALCON 200Z
(FALCON 66Z)



**FALCON
LIFTS**



The ultimate compact platform

The Falcon has an extremely versatile boom configuration and machine compactness which make the Falcon models the best choice for maintainers, pruners, installers and hires.

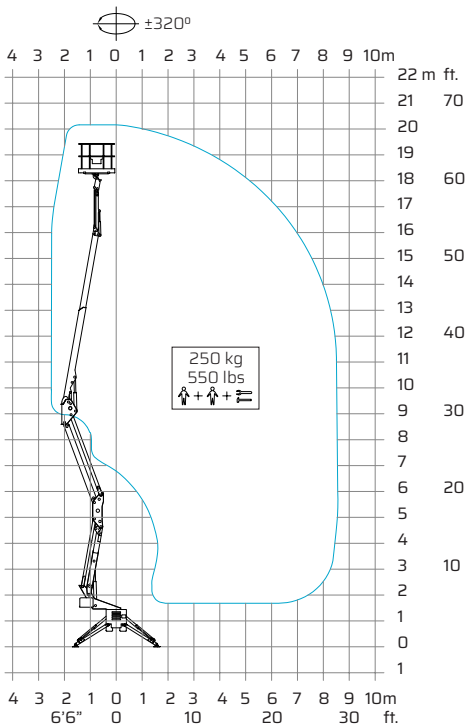
- Facility management
- Atrium access
- Narrow access
- Tree care
- Best quality & safety
- Easy transport & propelling
- Low weight & ground pressure
- Flexible outrigger setting
- Limited setup space
- Power - Bi-energy Hybrid

The Falcon is capable of passing through a door opening a mere 0,8 m (2'7") wide and 2 m (6'6") high. Further details on the Falcon models are mentioned on the following pages.





Falcon 200Z (Falcon 66Z)



▲ Working height and reach.

Model:

Falcon 200Z

Falcon 66Z

Metric

US

Working height:
Maximum reach:

20 m
8,5 m

65'7"
27'11"

Basket load:
Aluminium basket:
Turret rotation:

250 kg
140x70x110 cm
±320°

550 lbs
4'7"x2'4"x3'7"
±320°

Dimensions (transport position)

Total height:
Total length:
Total width:
Gradability:
Weight. approx.:

2 m
5,324 m
0,78 m
25%
2782 kg

6'6"
17'6"
2'7"
25%
6120 lbs*

*Depending on optional equipment



FALCON LIFTS A/S

Tolderlundsvej 106
DK-5000 Odense C
Tel: +45 66 13 11 00

falcon@falconlifts.com
falconlifts.com

STANDARD EQUIPMENT:

- Articulated boom (two elements)
- Telescopic boom (main boom + extensions)
- Jib
- $\pm 320^\circ/\pm 330^\circ$ turret rotation
- Engine start and stop controls from basket
- Basket with aluminium guardrails
- Automatic basket levelling
- Basket load sensing device
- 4 hydraulic outriggers
- Power supply in basket
- Gradability approximately 25%
- Drive speed max 1,5 Km/h (0,9 mph)
- Electro-hydraulic steering from the ground with remote control (wire)
- AC 1,5 kW motor
- Hour meter
- Standard boom colours Grey (RAL 7035) and chassis Blue (RAL5002)
- EN 280:2013 CE Certified
- ANSI Certified

Available with one of the following engines:

- Diesel (Kubota 2 cyl. water cooled)
- Petrol (Honda 15 HP)

OPTIONS:

- Dust Cover for Storage
- Nylon plates for outriggers
- Special colour
- Anti entrapment device
- Non-marking crawlers
- Basket rotation
- Air/water in basket
- Automatic stabilisation from basket

Video of Falcon 200Z

