



EXCLUSIVE

---

# SPIDER LIFTS AT A HIGHER LEVEL FOR 40 YEARS

---

**FALCON 230Z**  
(FALCON 76Z)





## The ultimate compact platform

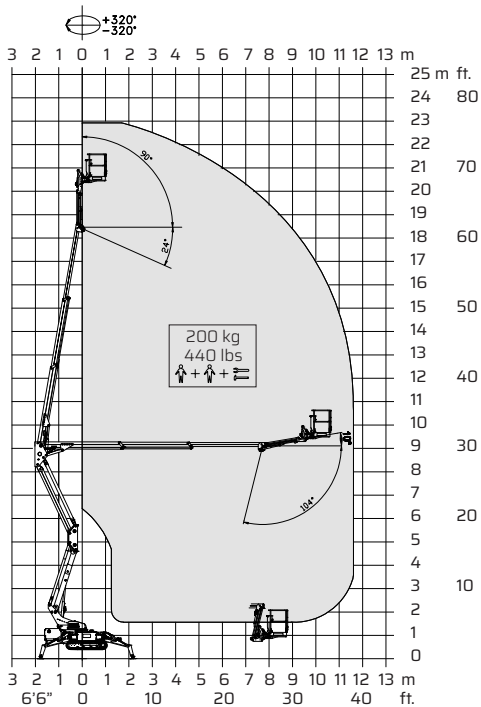
The Falcon has an extremely versatile boom configuration and machine compactness which make the Falcon models the best choice for maintainers, pruners, installers and hires.

- Facility management
- Atrium access
- Narrow access
- Tree care
- Best quality & safety
- Easy transport & propelling
- Low weight & ground pressure
- Flexible outrigger setting
- Limited setup space
- Power - Bi-energy Hybrid

The Falcon is capable of passing through a door opening a mere 0,8 m (2'7") wide and 2 m (6'6") high. Further details on the Falcon 230Z (76Z) is mentioned on the following pages.



## Falcon 230Z (Falcon 76Z)



Working height and reach.

### Model:

Falcon 230Z

Falcon 76Z

### Metric

### US

Working height:  
Maximum reach:

23 m  
12,0 m

75'6"  
39'4"

Basket load:  
Aluminium basket:  
Turret rotation:

200 kg  
130x70x110 m  
+320° / -320°

440 lbs  
4'3"x2'4"x3'7"  
+320° / -320°

### Dimensions (transport position)

Total height:  
Total length:  
Total width:  
Gradability:  
Weight approx.:

2,0 m  
5,337 m  
0,78 m  
31%  
2900 kg\*

6'7"  
17'6"  
2'7"  
31%  
6380 lbs\*

\*Depending on optional equipment



FALCON LIFTS A/S

Tolderlundsvej 106  
DK-5000 Odense C  
Tel: +45 66 13 11 00

falcon@falconlifts.com  
falconlifts.com

#### STANDARD EQUIPMENT:

- Articulated boom (two elements)
- Telescopic boom (main boom + 2 extensions)
- Jib
- $\pm 320^\circ$  turret rotation
- Engine start and stop controls from basket
- Basket with aluminium guardrails
- Basket rotation  $180^\circ$
- Automatic basket levelling
- Basket load sensing device
- 4 hydraulic outriggers
- Power supply in basket
- Gradability approximately  $31^\circ$
- Drive speed max 2 Km/h (1,25 mph)
- Wireless remote control
- AC 2,2 kW motor
- Flexible outrigger settings
- Hour meter
- Standard boom colours Grey (RAL 7035) and chassis Blue (RAL5002)
- EN 280:2013 CE Certified
- ANSI Certified

Available with one of the following engines:

- Diesel (Kubota)

Or Lithium version

- Lithium batteries 48V 300 Ah (Falcon 230Z Lithium/  
Falcon 76Z Lithium)

#### OPTIONS:

- Dust Cover for Storage
- Special colour
- Anti entrapment device
- Non-marking crawlers
- Air/water in basket
- GSM module for remote access and monitoring