

FALCON LIFTS A/S

Tolderundsvej 106
DK-5000 Odense C
Tel: +45 66 13 11 00

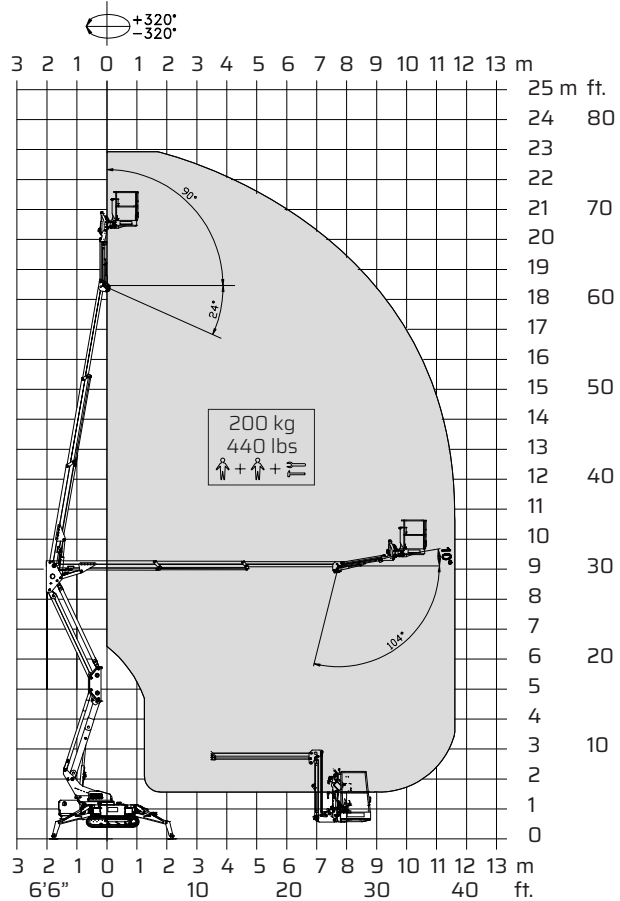
falconlifts.com



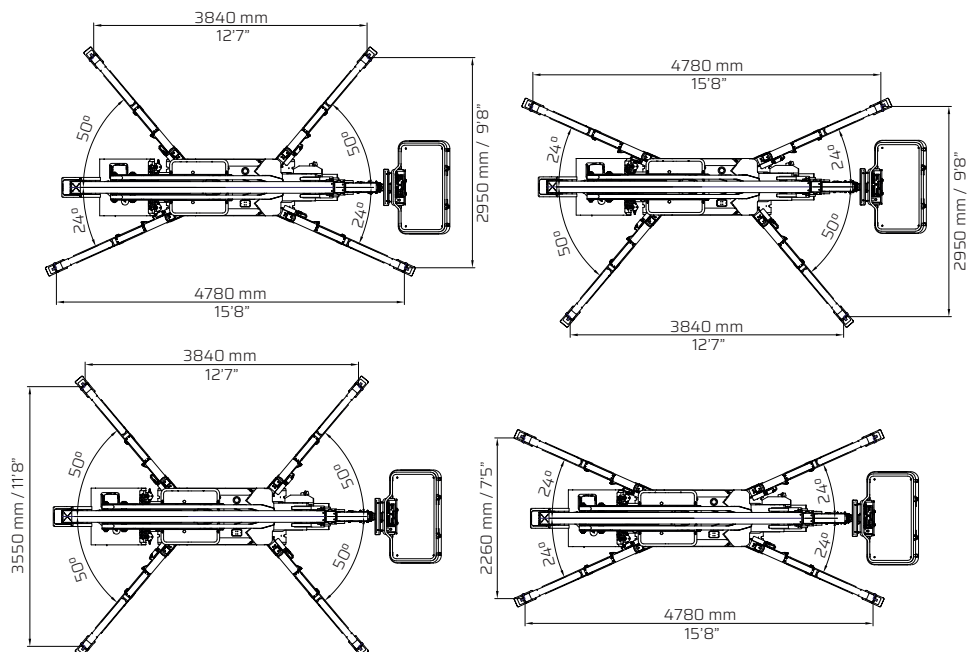
FALCON FS 230 *Sigma*

FALCON FS 76 *Sigma*

Reach diagram



Different outrigger position



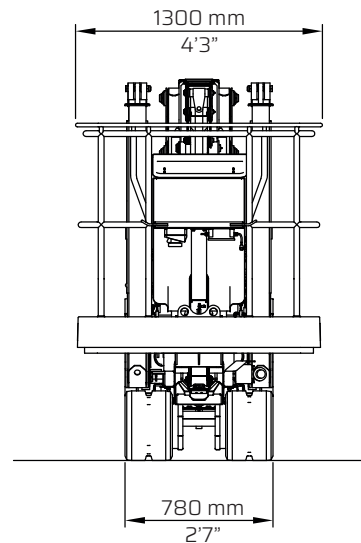
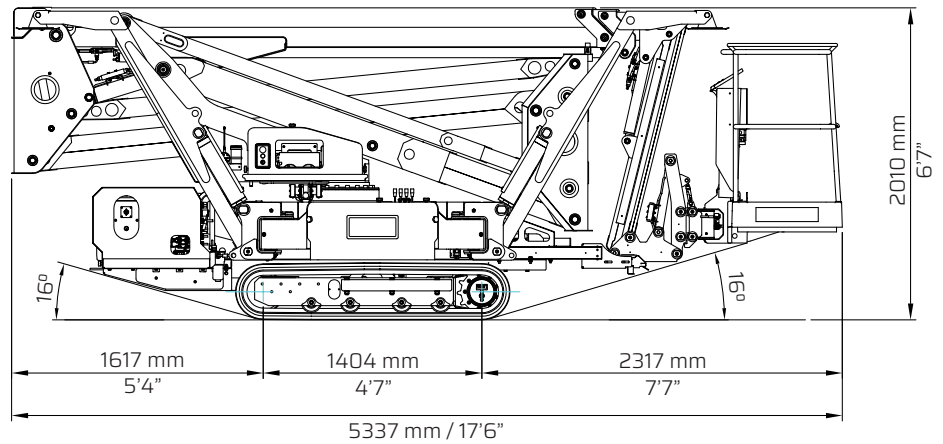
All measurements are intended as guide. Choise of equipment may change the mentioned measurements

FALCON FS 230 *Sigma*

FALCON FS 76 *Sigma*



Outer measurements



Additional info:

	Metric	US
Weight with standard equipment	2900 kg	6380 lbs
Surface pressure under tracks (soft surface)	0,50 kg /cm ²	7 psi
Surface pressure under tracks (hard surface)	1,01 kg /cm ²	14 psi
Max. ground pressure under 1 outrigger plate	7,24 kg /cm ²	103 psi
Working height	23 m	75'6"
Maximum reach	12,0 m	39'4"
Basket load	200 kg	440 lbs

As all our products are in a constant process of development we reserve the right to alterations