

FALCON LIFTS A/S

Tolderundsvej 106  
DK-5000 Odense C  
Tel: +45 66 13 11 00

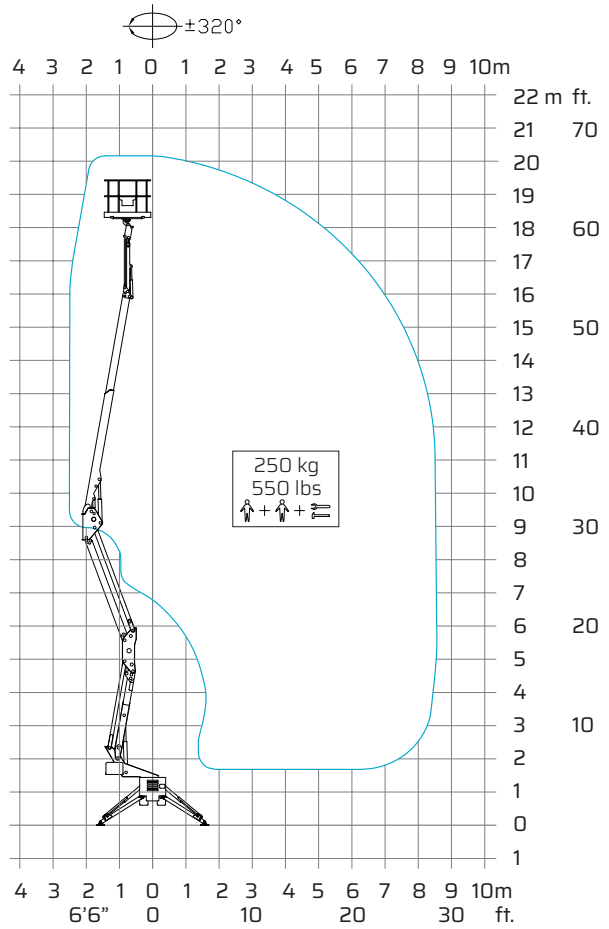
falconlifts.com

# FALCON FS 200 *Sigma*

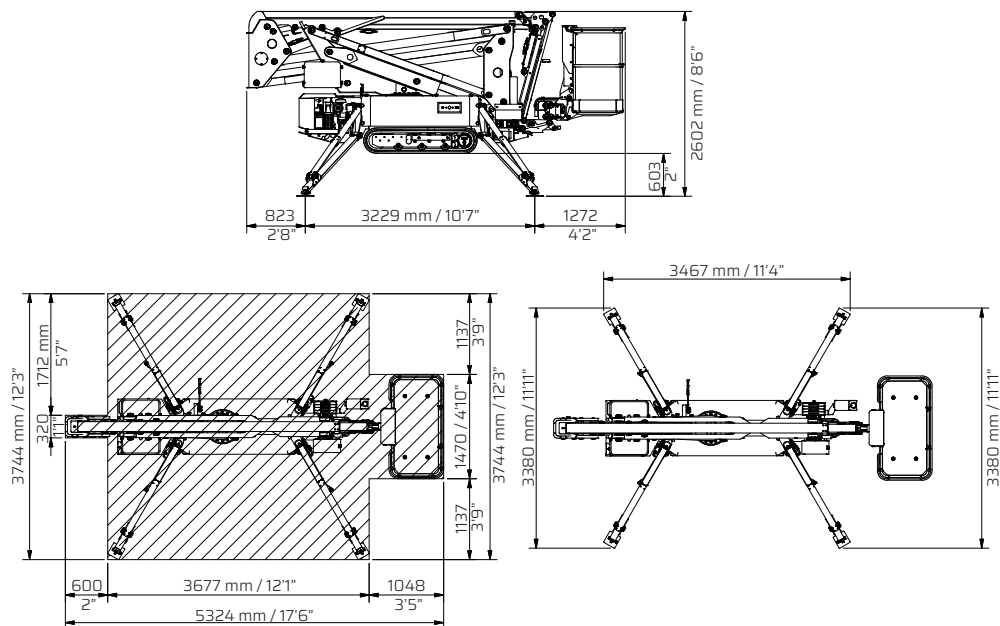
## FALCON FS 66 *Sigma*



### Reach diagram



### Outrigger position



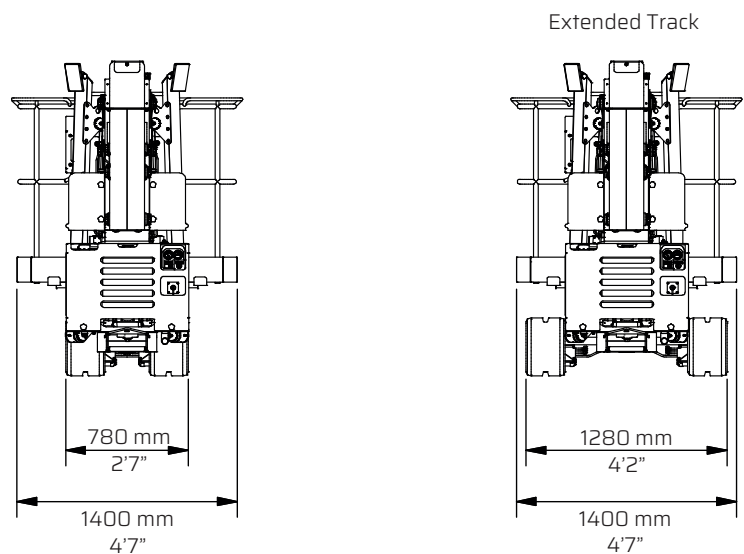
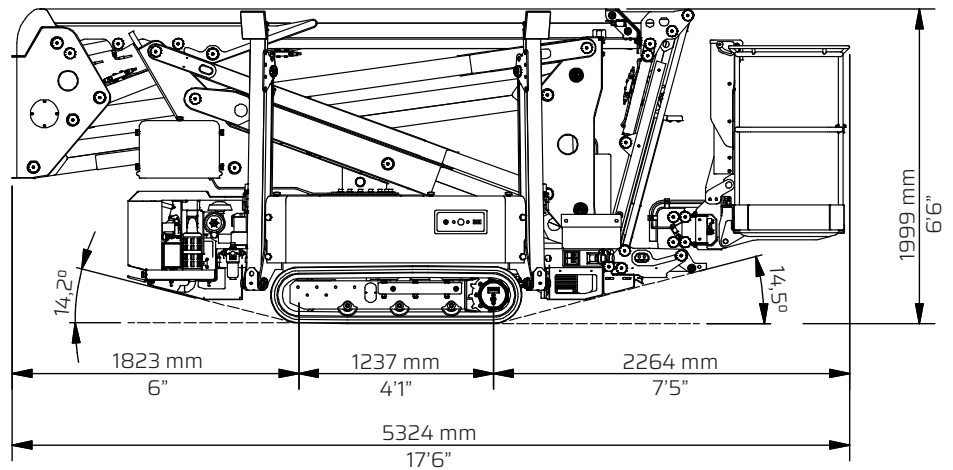
All measurements are intended as guide. Choice of equipment may change the mentioned measurements

# FALCON FS 200 *Sigma*

## FALCON FS 66 *Sigma*



### Outer measurements



### Additional info:

	<b>Metric</b>	<b>US</b>
Weight with standard equipment	2782 kg	6120 lbs
Surface pressure under tracks (soft surface)	0,65 kg /cm <sup>2</sup>	9 psi
Surface pressure under tracks (hard surface)	1,30 kg /cm <sup>2</sup>	19 psi
Max. ground pressure under 1 outrigger plate	8,49 kg /cm <sup>2</sup>	121 psi
Working height	20 m	65'7"
Maximum reach	8,5 m	27'11"
Basket load	250 kg	550 lbs

As all our products are in a constant process of development we reserve the right to alterations