

FALCON LIFTS A/S

Tolderundsvej 106
DK-5000 Odense C
Tel: +45 66 13 11 00

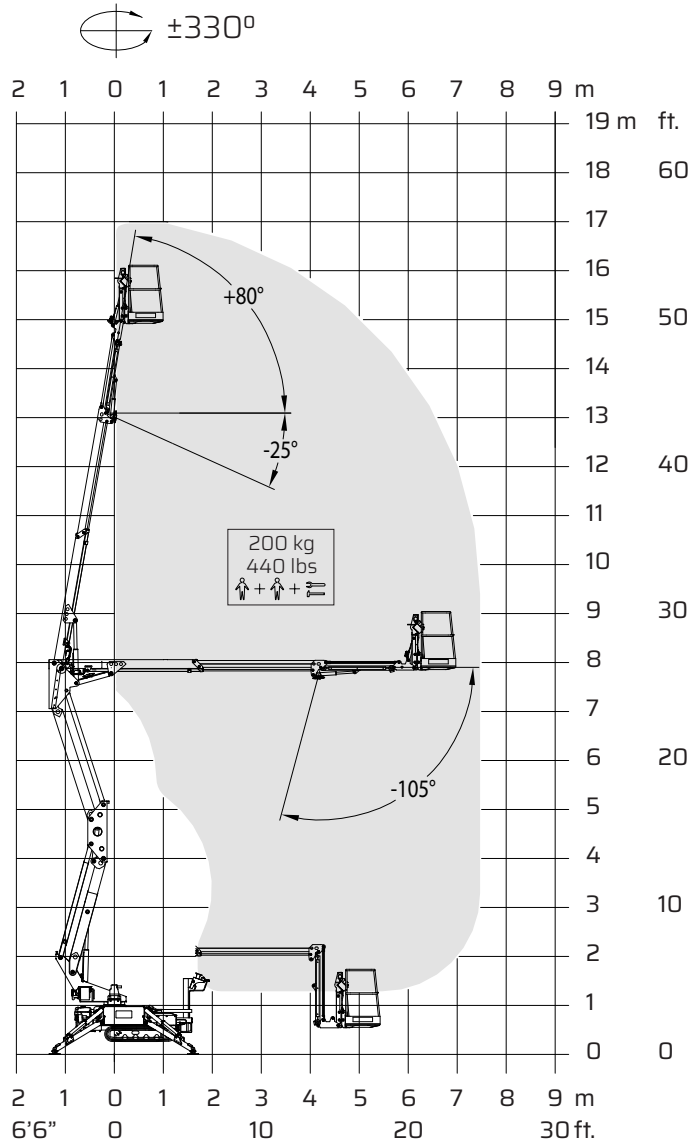
falconlifts.com

FALCON FS 170E *Sigma*

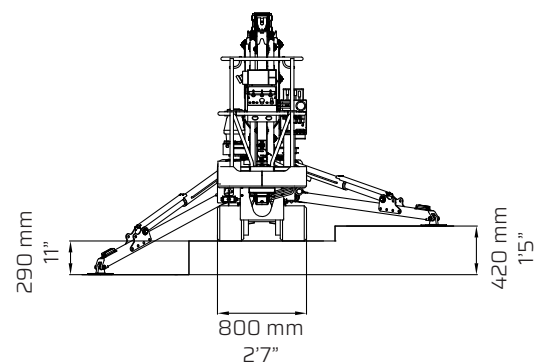
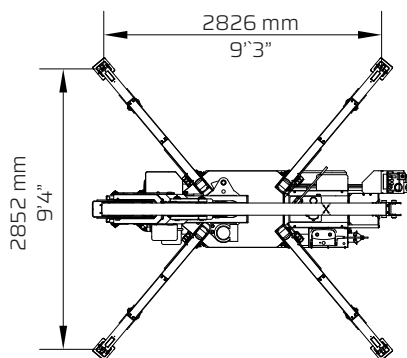
FALCON FS 56E *Sigma*



Reach diagram



Outrigger position



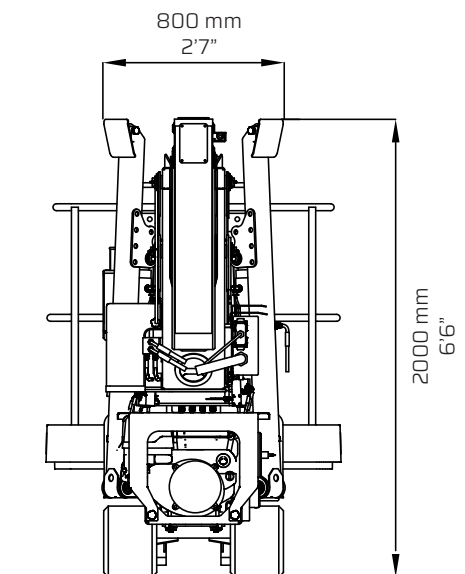
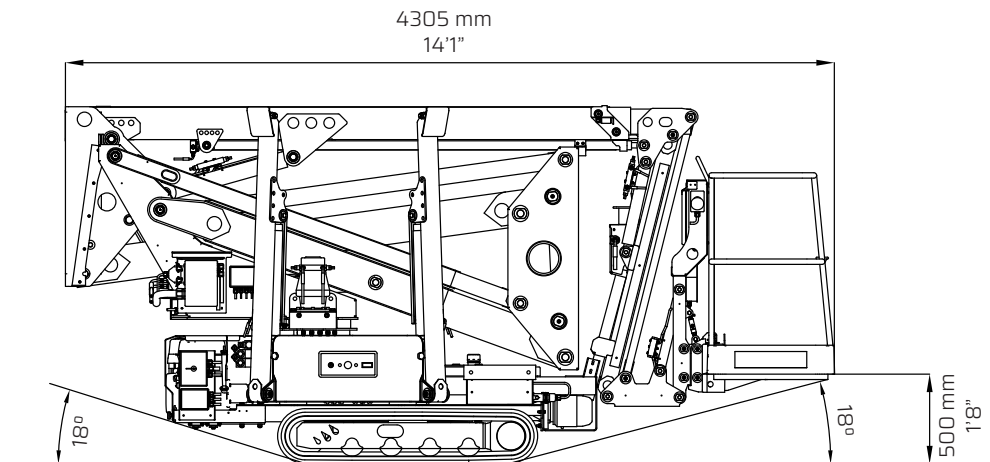
All measurements are intended as guide. Choise of equipment may change the mentioned measurements

FALCON FS 170E *Sigma*

FALCON FS 56E *Sigma*



Outer measurements



Additional info:

	Metric	US
Weight with standard equipment	2050 kg	4510 lbs
Surface pressure under tracks (soft surface)	0,46 kg /cm ²	7 psi
Surface pressure under tracks (hard surface)	0,92 kg /cm ²	13 psi
Max. ground pressure under 1 outrigger plate	7,32 kg /cm ²	104 psi
Working height	17 m	55'9"
Maximum reach	7,5 m	24'7"
Basket load	200 kg	440 lbs
Lithium batteries 48V 100Ah (1 day work)		

As all our products are in a constant process of development we reserve the right to alterations