

FALCON LIFTS A/S

Tolderlundsvej 106
DK-5000 Odense C
Tel: +45 66 13 11 00

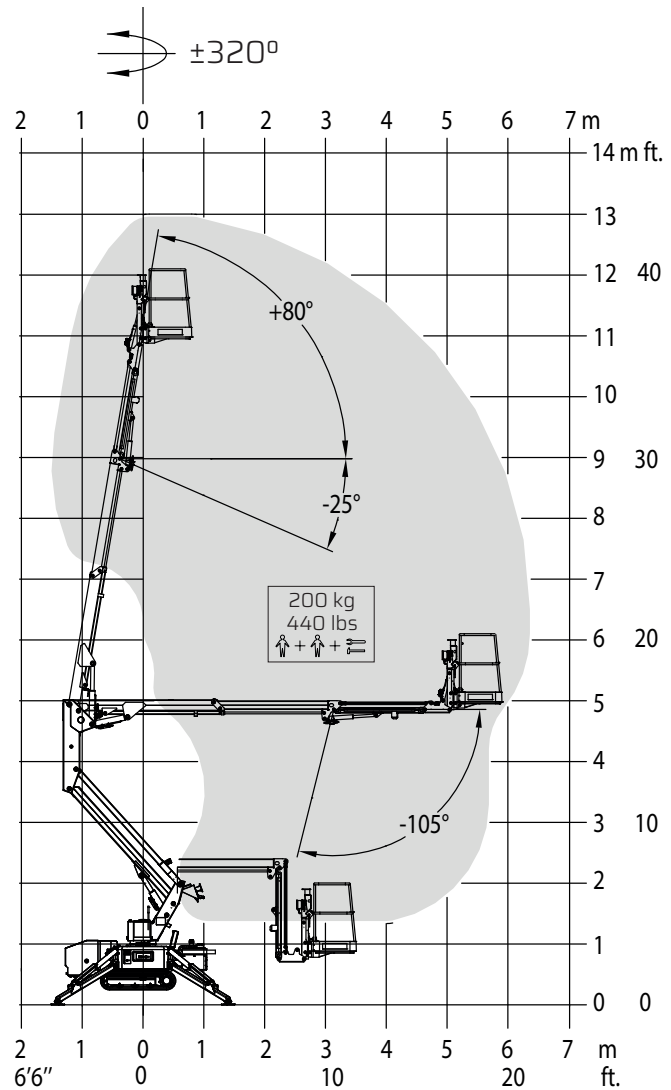
falconlifts.com



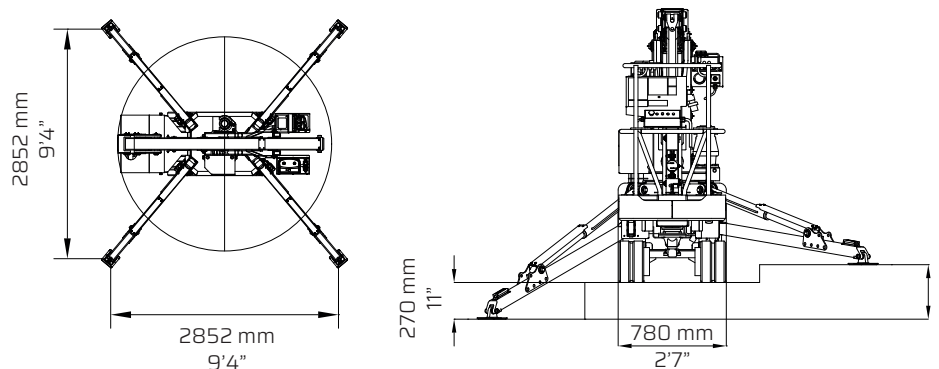
FALCON FS 135 *Sigma*

FALCON FS 44 *Sigma*

Reach diagram



Outrigger position



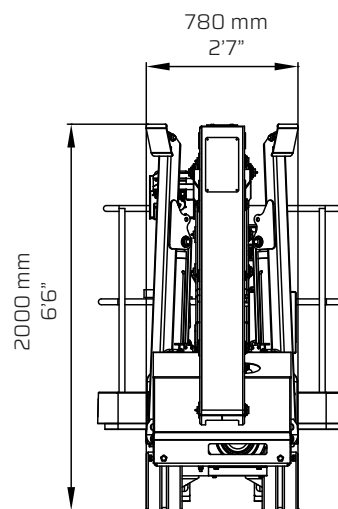
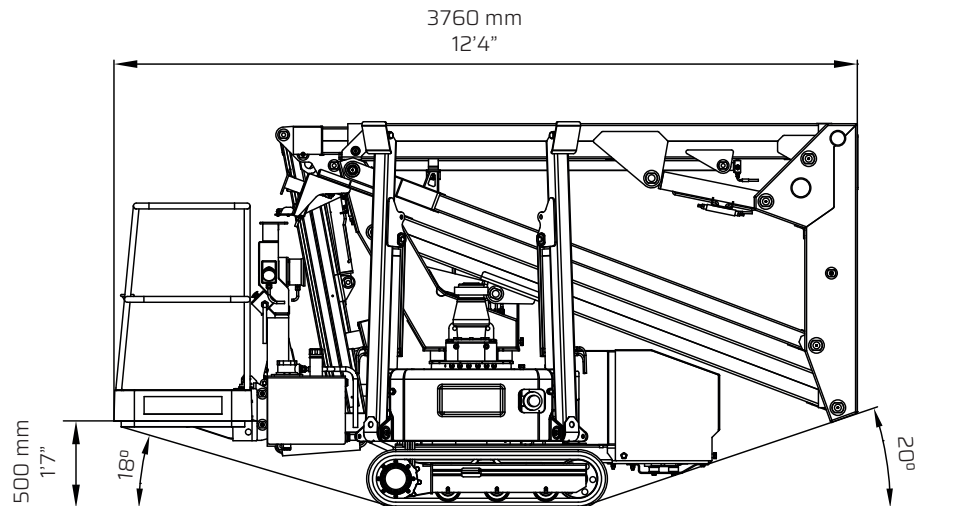
All measurements are intended as guide. Choise of equipment may change the mentioned measurements

FALCON FS 135 *Sigma*

FALCON FS 44 *Sigma*



Outer measurements



Additional info:

	Metric	US
Weight with standard equipment	1600 kg	3520 lbs
Surface pressure under tracks (soft surface)	0,47 kg /cm ²	7 psi
Surface pressure under tracks (hard surface)	0,95 kg /cm ²	13 psi
Max. ground pressure under 1 outrigger plate	7,67 kg /cm ²	109 psi
Working height	13 m	42' 8"
Maximum reach	6,5 m	21' 4"
Basket load	200 kg	440 lbs

As all our products are in a constant process of development we reserve the right to alterations