



EXCLUSIVE

---

# SPIDER LIFTS AT A HIGHER LEVEL FOR 40 YEARS

---

**FS 330Z / FS 330Z *Vario***





## The ultimate compact platform.

The new articulated Falcon Spider Crawler Lifts FS 330Z and FS 330Z Vario, set new standards. The Falcon Spider Crawler Lift FS 330Z, and FS 330Z Vario are the highest articulated Z-booms on the market.

The Falcon Spider Crawler Lift FS 330Z (Vario) is an original Falcon Spider Lift with market leading features. The Falcon Spider was invented at first in the 1970's, and developed ever since. The Falcon Spider Crawler Lift FS 330Z (Vario) is very applicable in matters of:

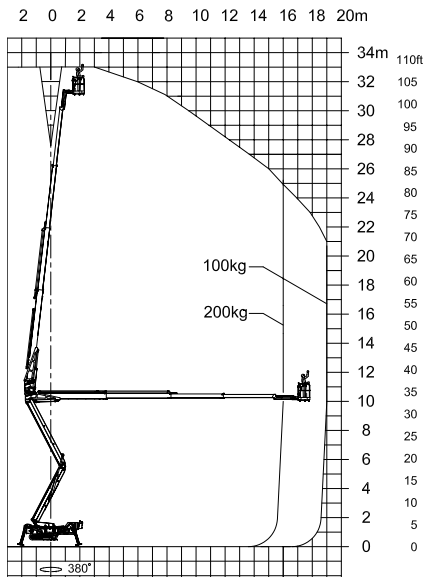
- Facility management
- Atrium access
- Narrow access
- Best quality & safety
- Easy transport & propelling
- Low weight & ground pressure
- Flexible outrigger setting
- Limited setup space
- Power - Bi-energy Hybrid
- Variable crawler chassis (Vario model)

The articulated Z-boom, with four section telescopic system and 110° rotation jib, offers the user a superior working envelope. Maximum working height is 33 metres, and 19 metres reach at an up and over height of 11 metres.

The crawler chassis on the Vario model with variable width from 1.2 metres to 1.5 metres, offers impressive flexibility.



## FS 330Z

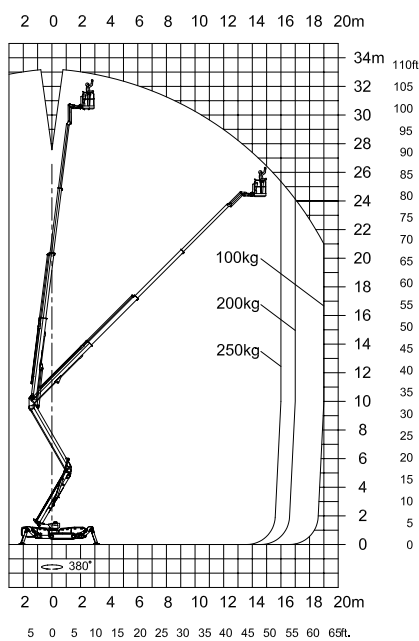


**Model:**

**FS 330Z**

**FS 330Z Vario**

## FS 330Z Vario



Working height:

33 m

33 m

Maximum reach:

15 - 19 m

16 - 19 m

Jib rotation:

110°

110°

Basket load:

200 kg

250 kg

Aluminium basket:

(0,8 x 1,4 m)

(0,8 x 1,4 m)

Basket rotation:

+ / - 90°

+ / - 90°

Turret rotation:

375°

375°

Dimensions (transport position)

Total height:

2,27 m

1,99 - 2,25 m

Total length:

7,40 m

7,30 m

Total width (min):

1,1 - 1,5 m

1,25 - 1,58 m

Gradability (standard):

20° / 37%

20° / 37%

Weight approx.:

5.900 kg\*

6.200 kg\*

Variabel crawlers

No

Yes



Working height and reach.  
To the outermost points.

\*Depending on optional equipment



FALCON LIFTS A/S

Tolderlundsvej 106  
DK-5000 Odense C  
Tel: +45 66 13 11 00

falcon@falconlifts.com  
falconlifts.com

#### STANDARD EQUIPMENT:

- Automatic stability & outreach control
- Computer controlled (can-bus)
- Proportional control of all functions
- Self-propelled 2 speed selection
- Battery powered with charger 180 Ah
- Jib 110°
- 375° turret rotation, with integrated stop
- +/- 90° basket rotation
- 250 kg basket load
- Ability to self-load onto trucks or trailers
- Electronic checking of the power system (PLC)
- Manual pump system for emergency lowering
- Height adjustable crawlers 1,25-1,58 m. (Vario model)
- Variable width, hydraulic (1,1m -1,5m)
- Minimum width only 1,10 m
- Space for tools etc. in basket
- Storage room in chassis with lock
- Diesel engine, Kubota 3 cyl. 18,5 kw
- Wireless remote control of all functions
- 110V/220V AC power supply in the basket
- Non marking crawlers
- Individual setting of each outrigger
- Falcon Service Tool (remote access via laptop)

#### OPTIONS:

- Hazard lights kit (strobe lights, working lamp)
- Protection kit (enhanced shields/cover)
- 400V AC direct powered electro motor
- Autosetting / Leveling
- Special outrigger footplates
- Special colour
- Anti entrapment system
- Cover
- FALCON Spider Service Tool (GSM module)