



EXCLUSIVE

---

# SPIDER LIFTS AT A HIGHER LEVEL FOR 40 YEARS

---

**FS 320C** *Vario*





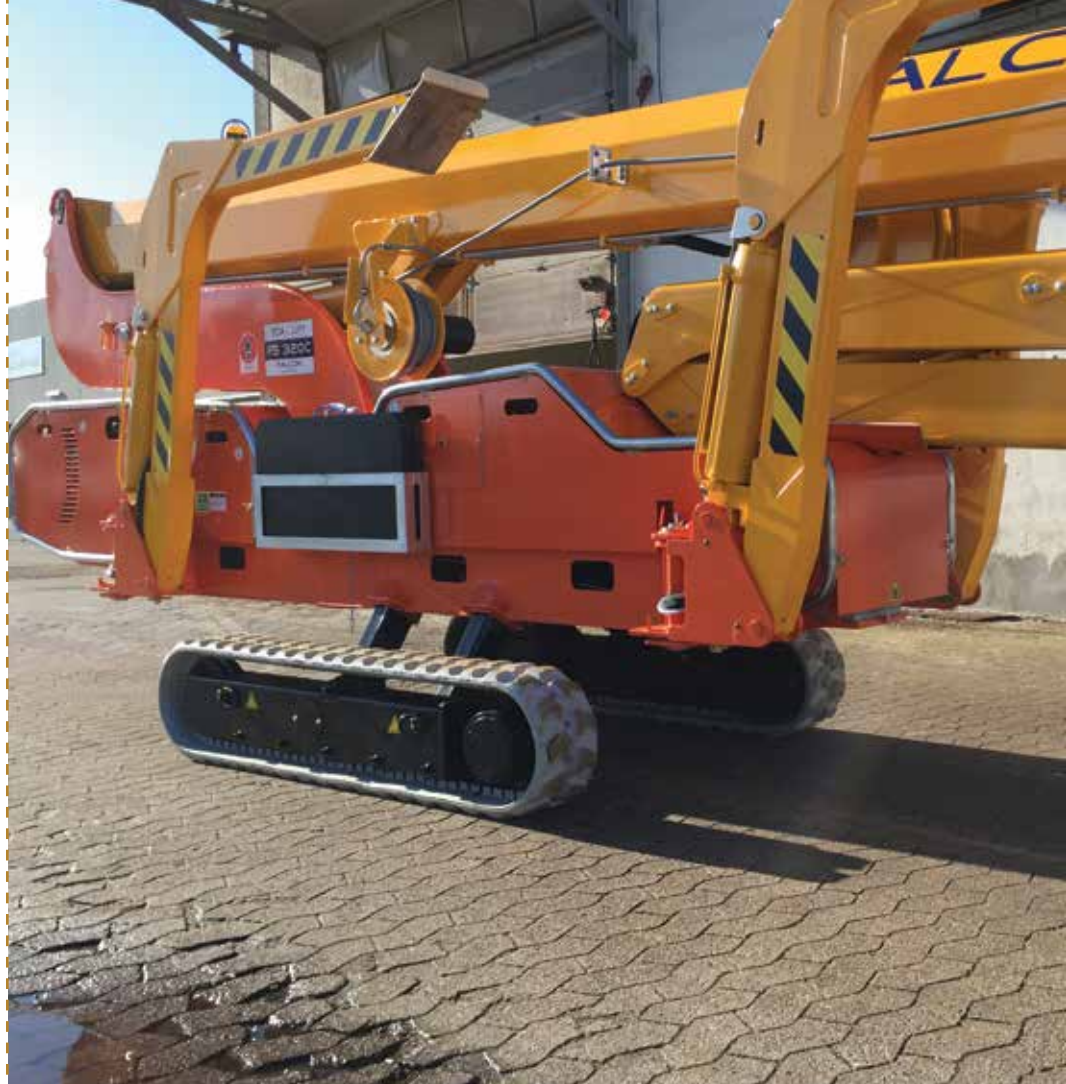
## The ultimate compact platform.

The Falcon Spider Atrium Lift is an original Falcon Spider Lift with market leading features. The Falcon Spider Atrium Lift was invented at first in the 1970's, and developed ever since. The Falcon Spider Atrium Lift FS 320C Vario is very applicable in matters of:

- Facility management
- Atrium access
- Narrow access
- Best quality & safety
- Double jib system
- Easy transport & propelling
- Low weight & ground pressure
- Flexible outrigger setting
- Limited setup space
- Variable crawler chassis
- Power - Bi-energy Hybrid



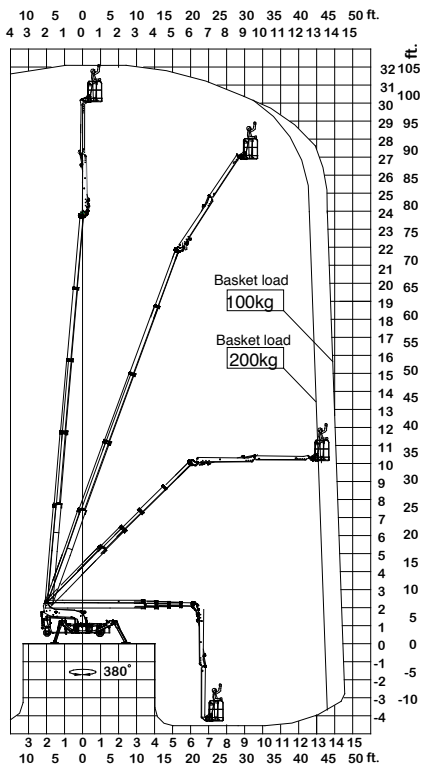
The Falcon Spider Atrium Lift is capable of passing through a door opening a mere 1,25 m wide and 1,84 m high. Further details on the Falcon Spider Atrium Lift FS 320C Vario is mentioned on the following pages.



**Model:**

**FS 320C Vario**

## FS 320C Vario



Working height: 32 m  
Maximum reach: 14-15 m

Double jib (2 x 3 m): 6 m  
Jib rotation: 200°  
Basket load: 200 kg  
Aluminium basket: (0,8 x 1,4 m)  
Basket rotation (option): +/- 90°  
Turret rotation: 375°

### Dimensions (transport position)

Total height: 1,84-2,09 m  
Total length: 7,20 m  
Total width: 1,25-1,58 m  
Gradability (standard): 20° / 37%  
Weight approx.: 5550 kg\*

\*Depending on optional equipment

▲ Working height and reach. To the outermost points.



FALCON LIFTS A/S

Tolderlundsvej 106  
DK-5000 Odense C  
Tel: +45 66 13 11 00

falcon@falconlifts.com  
falconlifts.com

#### STANDARD EQUIPMENT:

- Automatic stability & outreach control
- Computer controlled (can-bus)
- Proportional control of all functions
- Self-propelled
- Battery powered with charger (180 Ah)
- Double jib
- 375° turret rotation, with integrated stop
- Individual setting of each outrigger
- Electronic checking of the power system (PLC)
- Manual pump system for emergency lowering
- Ability to self-load onto trucks or trailers
- Height adjustable crawlers
- Adjustable crawlers 1,25-1,58 m
- Minimum width only 1,25 m
- Space for tools etc. in basket
- Storage room with lock in chassis
- Diesel engine Kubota 3 cyl. 21.7 kW
- Wireless remote control of all functions
- Service tool (Remote access via laptop)
- Non marking crawlers
- Slope alarm

#### OPTIONS:

- 180° basket rotation
- 220V AC power supply in the basket
- Air / water supply in the basket
- Sensor system on basket
- 400V AC direct powered electro motor
- 4 pcs extra batteries
- Autosetting/levelling
- Cover
- Special outrigger footplates
- Basket in various sizes
- Anemometer wind warning system
- Special colour
- Height control switch
- GSM module for remote access and monitoring
- Anti entrapment device