

FALCON LIFTS A/S

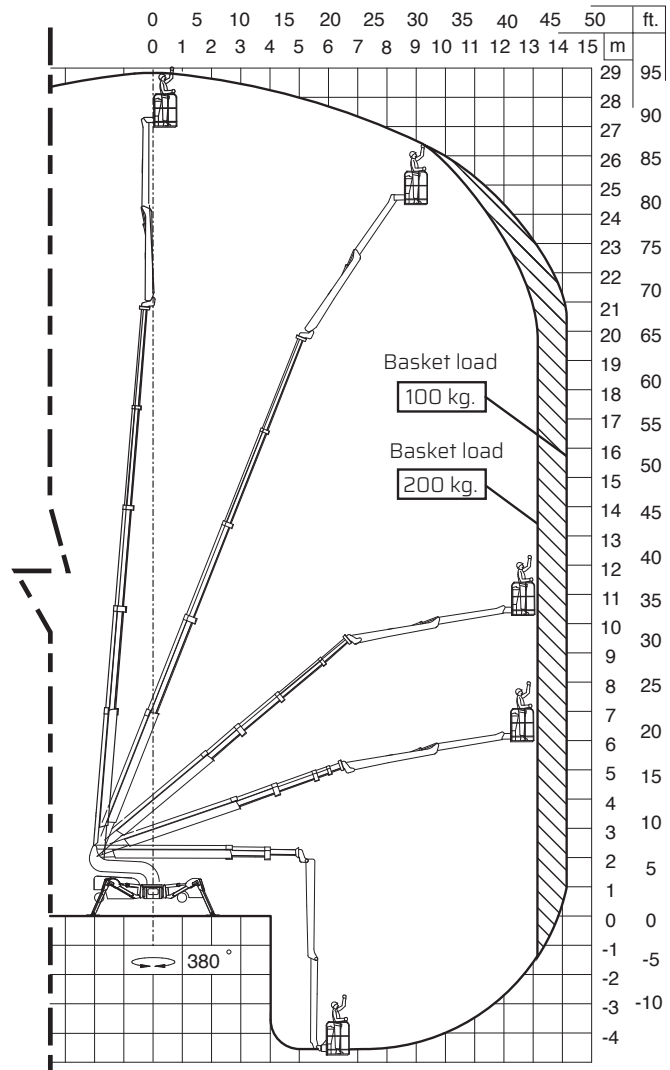
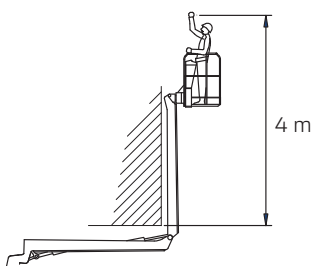
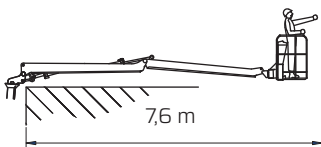
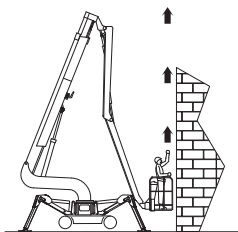
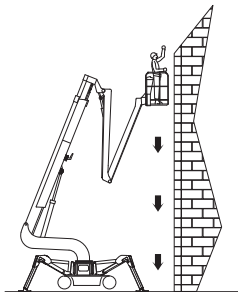
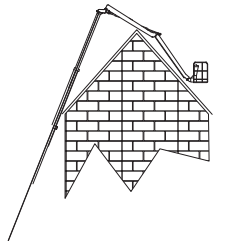
Tolderlundsvej 106
DK-5000 Odense C
Tel: +45 66 13 11 00

falconlifts.com



FALCON FS 290

Reach diagram - Optimized position

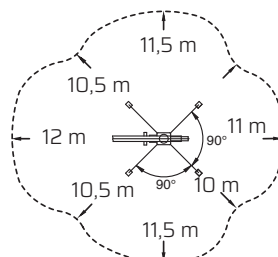


Reach with outriggers in different positions

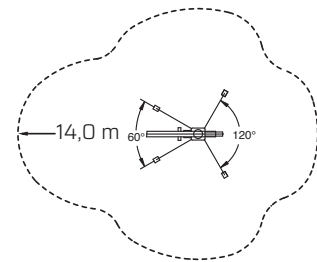
Standard

Measurements in meters

Optimized



Basket load = 200 kg

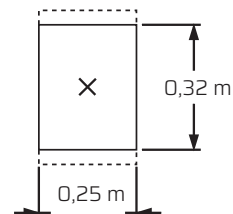
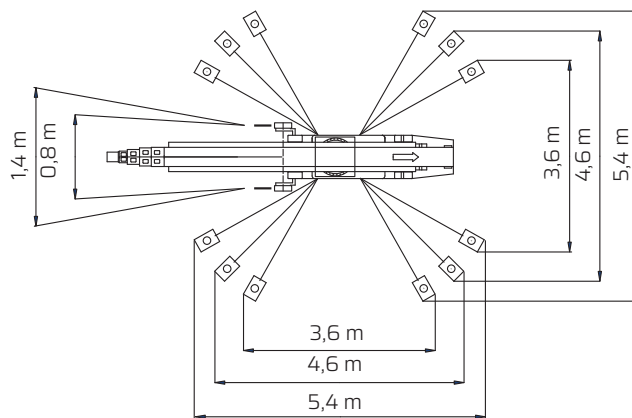
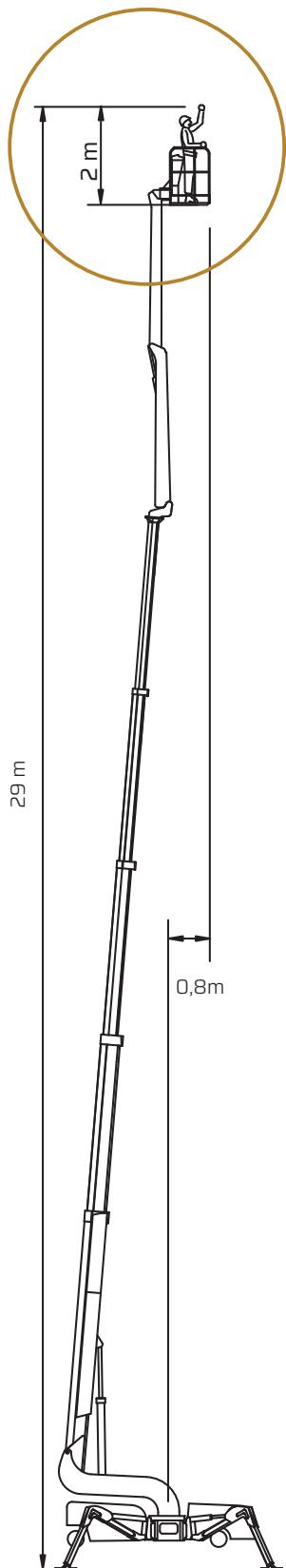


Basket load = 100 kg

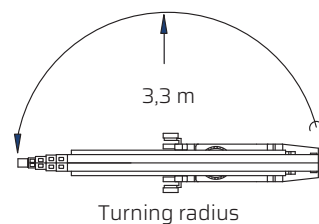
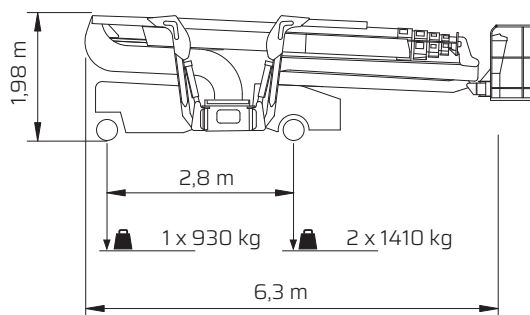
All measurements are intended as guide. Choise of equipment may change the mentioned measurements

FALCON FS 290

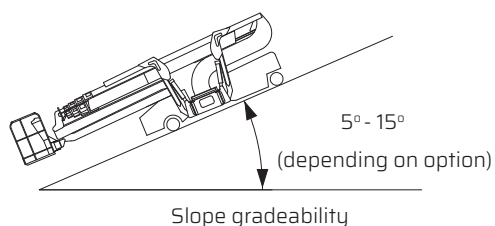
Outer measurements



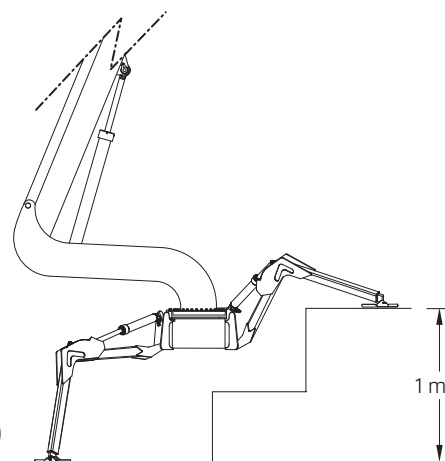
Outrigger plate area
= 800 cm²



Turning radius



Slope gradeability



1 m

Additional info:

Weight and ground pressure:

Weight with standard equipment	3750	kg.
Max. ground pressure under 1 wheel	8,2	kg/cm ²
Max. ground pressure under 1 outrigger plate	2,4	kg/cm ²
Front wheel area (depending on wheel type)	1 x ~140	cm ²
Rear wheel area (depending on wheel type)	2 x ~172	cm ²