

FALCON LIFTS A/S

Tolderlundsvej 106
DK-5000 Odense C
Tel: +45 66 13 11 00

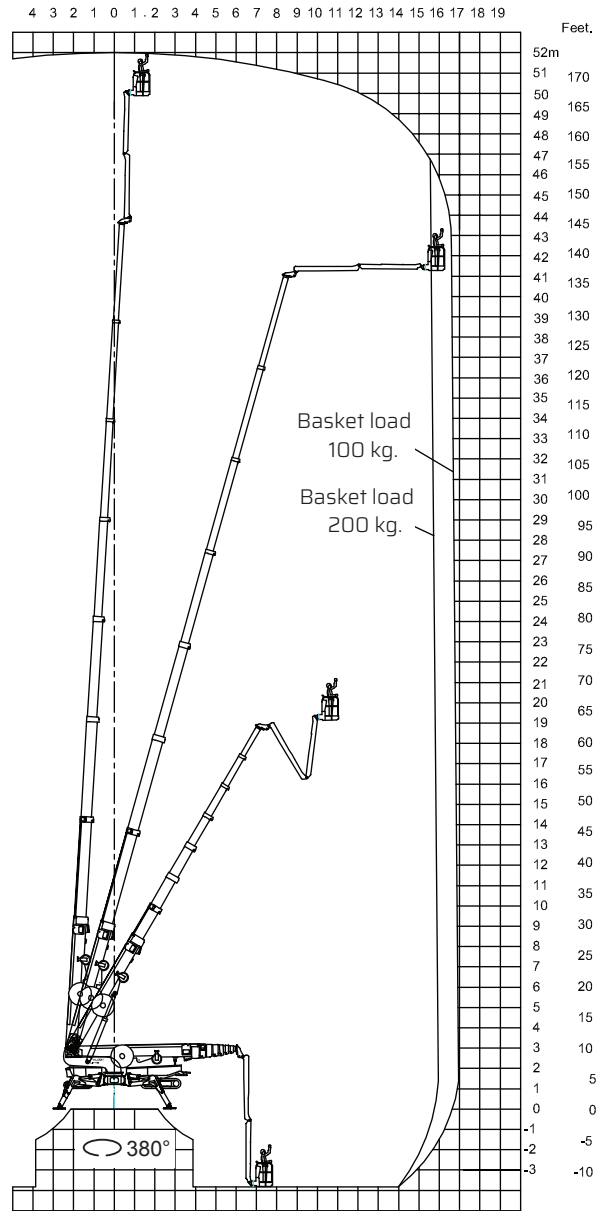
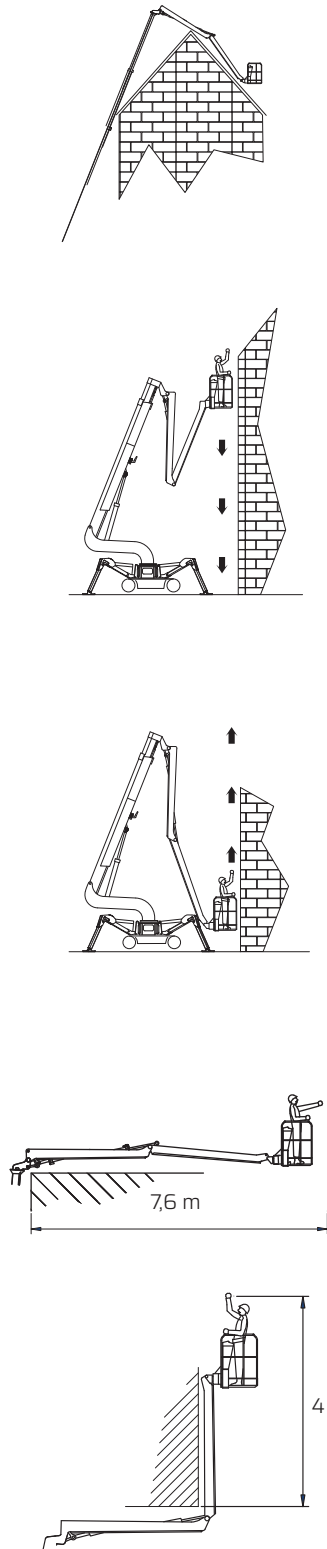
falconlifts.com



FALCON 520

Double Track

Reach diagram - Optimized position

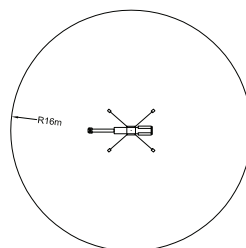


Reach with outriggers in different positions

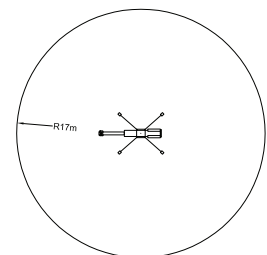
Standard

Measurements in meters

Optimized



Basket load = 200 kg



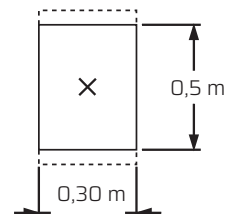
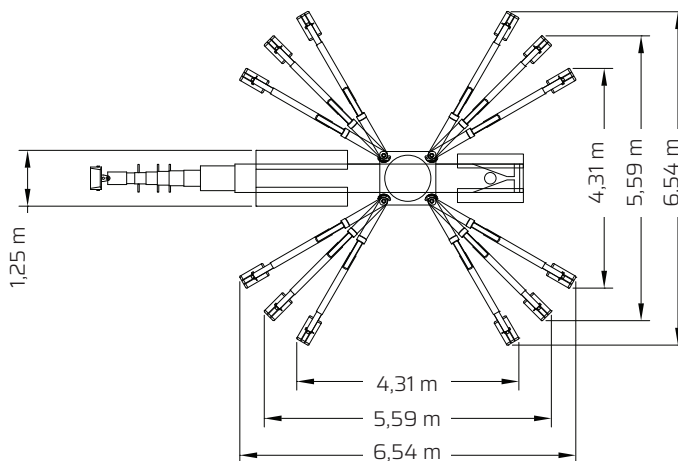
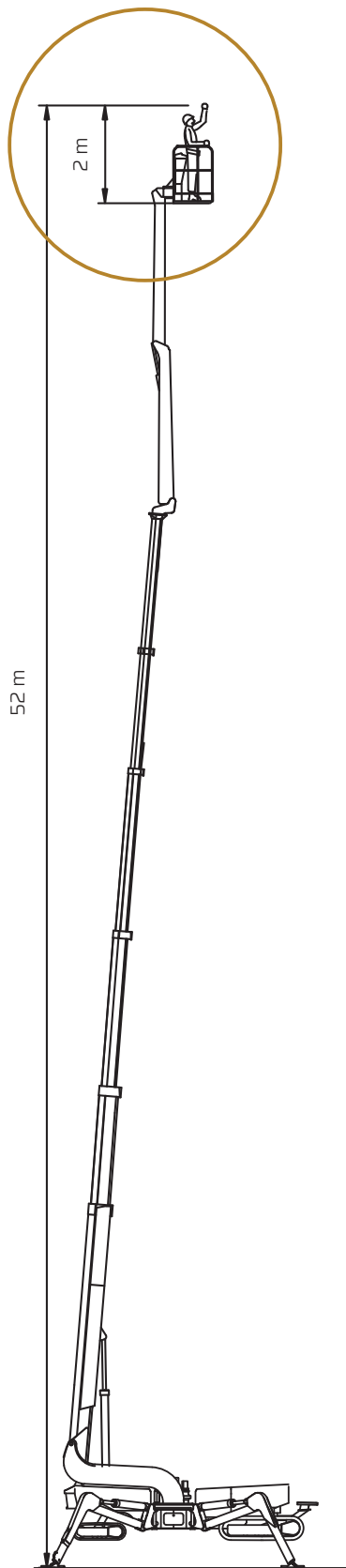
Basket load = 100 kg

All measurements are intended as guide. Choise of equipment may change the mentioned measurements

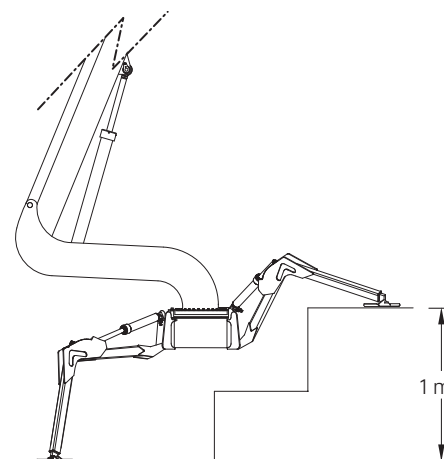
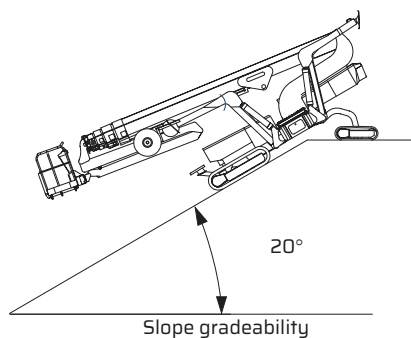
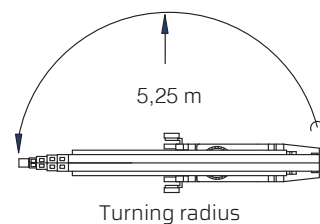
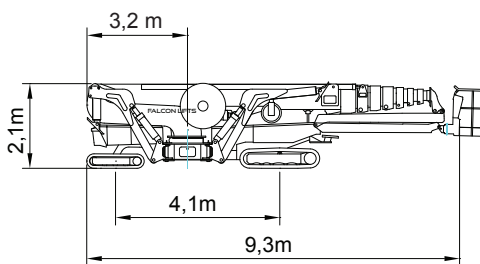
FALCON 520

Double Track

Outer measurements



Outrigger plate area = 1500 cm²



Additional info:

Weight and ground pressure:

Weight with standard equipment	13500	kg.
Surface pressure under crawlers (soft surface)	0,85	kg/cm ²
Surface pressure under crawlers (hard surface)	1,20	kg/cm ²
Max. ground pressure under 1 outrigger plate	3,60	kg/cm ²