

FALCON LIFTS A/S

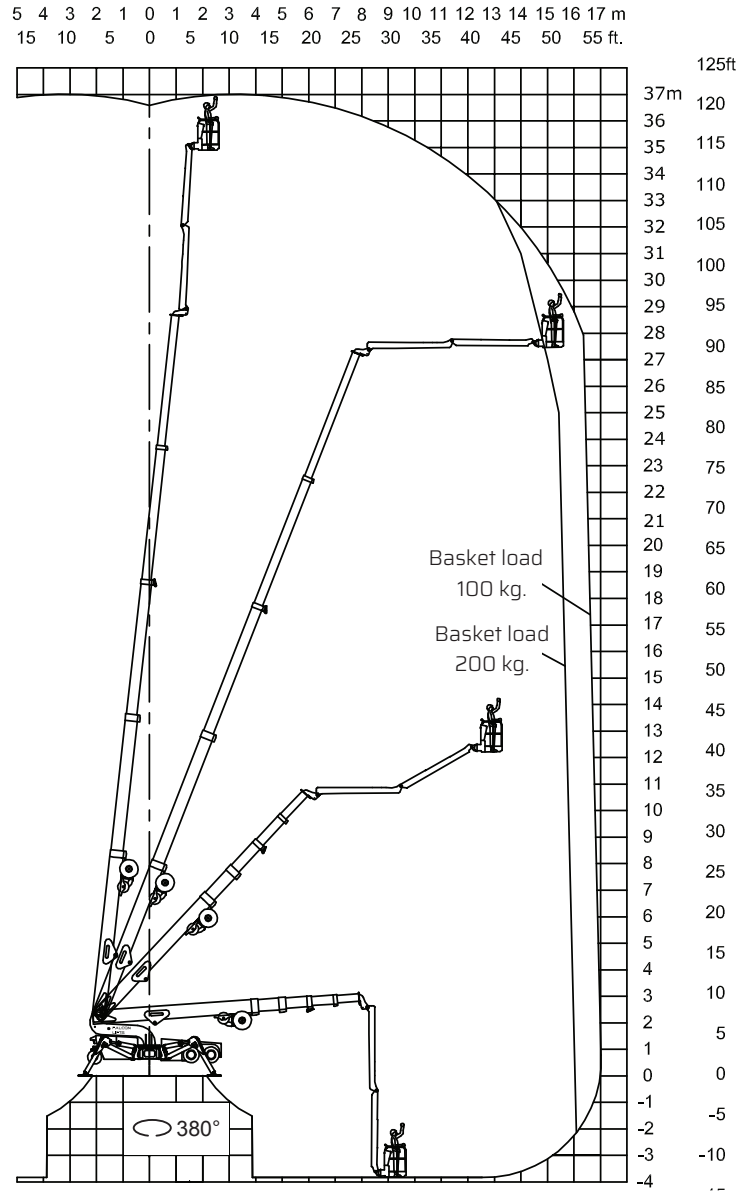
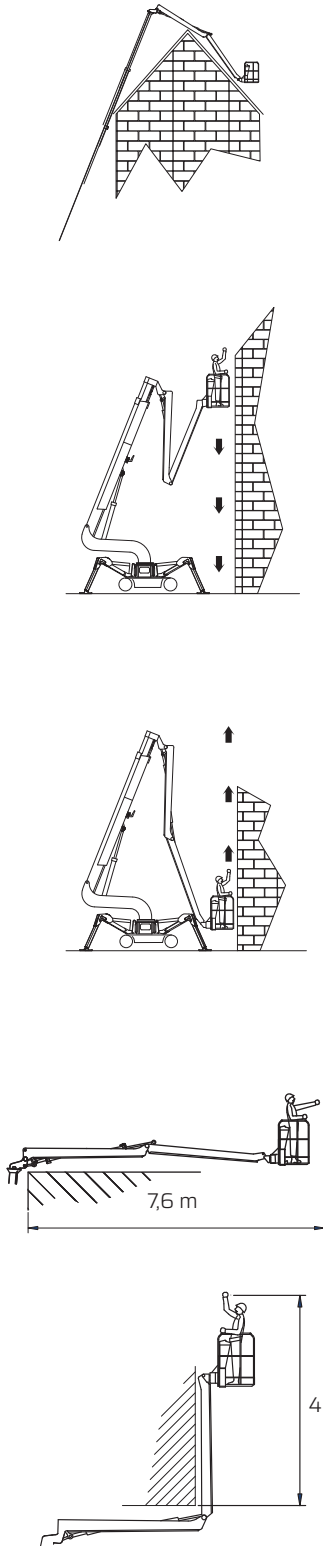
Tolderlundsvej 106
DK-5000 Odense C
Tel: +45 66 13 11 00

falconlifts.com



FALCON 370 *Wheel*

Reach diagram - Optimized position

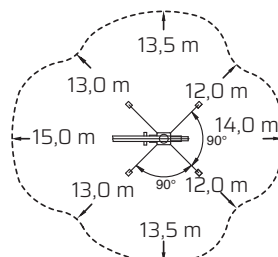


Reach with outriggers in different positions

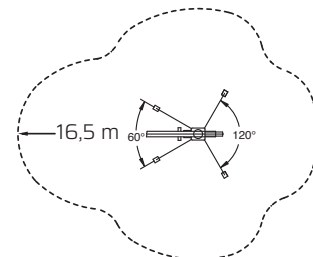
Standard

Measurements in meters

Optimized



Basket load = 200 kg

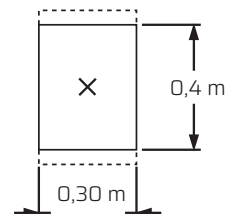
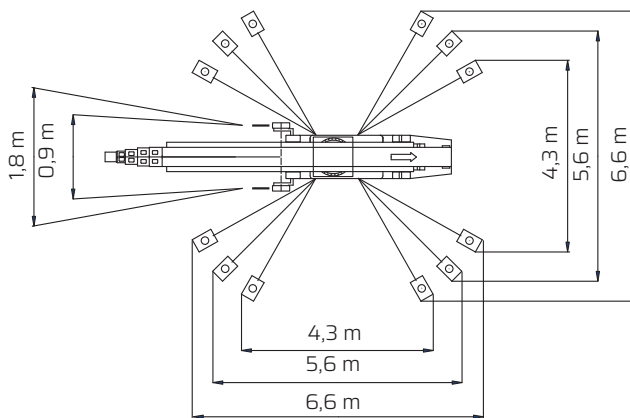
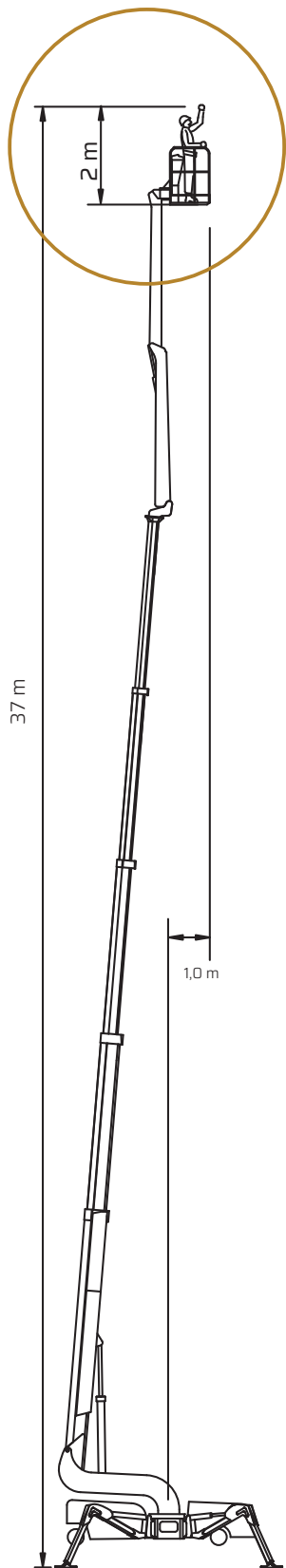


Basket load = 100 kg

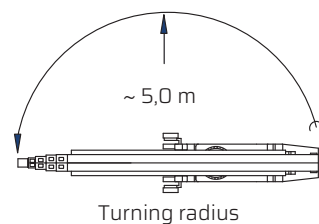
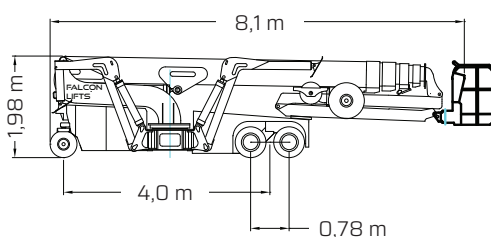
All measurements are intended as guide. Choise of equipment may change the mentioned measurements.

FALCON 370 *Wheel*

Outer measurements



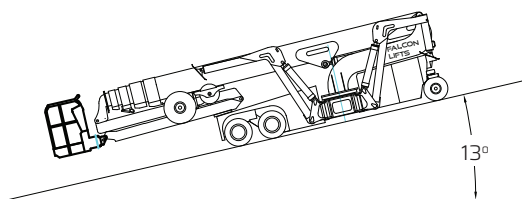
Outrigger plate area = 1200 cm²



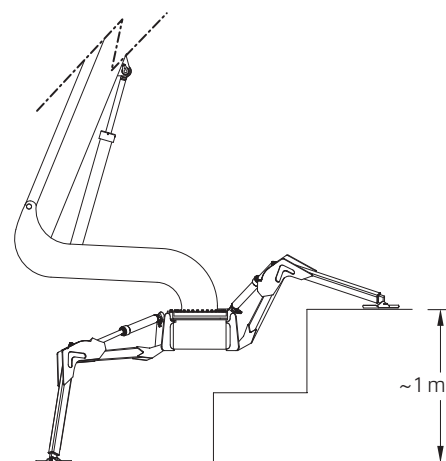
Turning radius

2 x 1100 kg

4 x 1250 kg
8 x 625 kg



Slope gradeability



~1 m

Additional info:

Weight and ground pressure:

Weight with standard equipment (solid tires) Bogie	6900 kg.
Max. ground pressure under 1 wheel (with 4 rear wheel)	5,9 kg/cm ²
Max. ground pressure under 1 wheel (with 8 rear wheel)	5,0 kg/cm ²
Max. ground pressure under 1 outrigger plate	2,75 kg/cm ²
Front wheel area (depending on wheel type)	2 x ~200 cm ²
Rear wheel area (depending on wheel type)	4 x ~210 cm ²

As all our products are in a constant process of development we reserve the right to alterations.