

FALCON LIFTS A/S

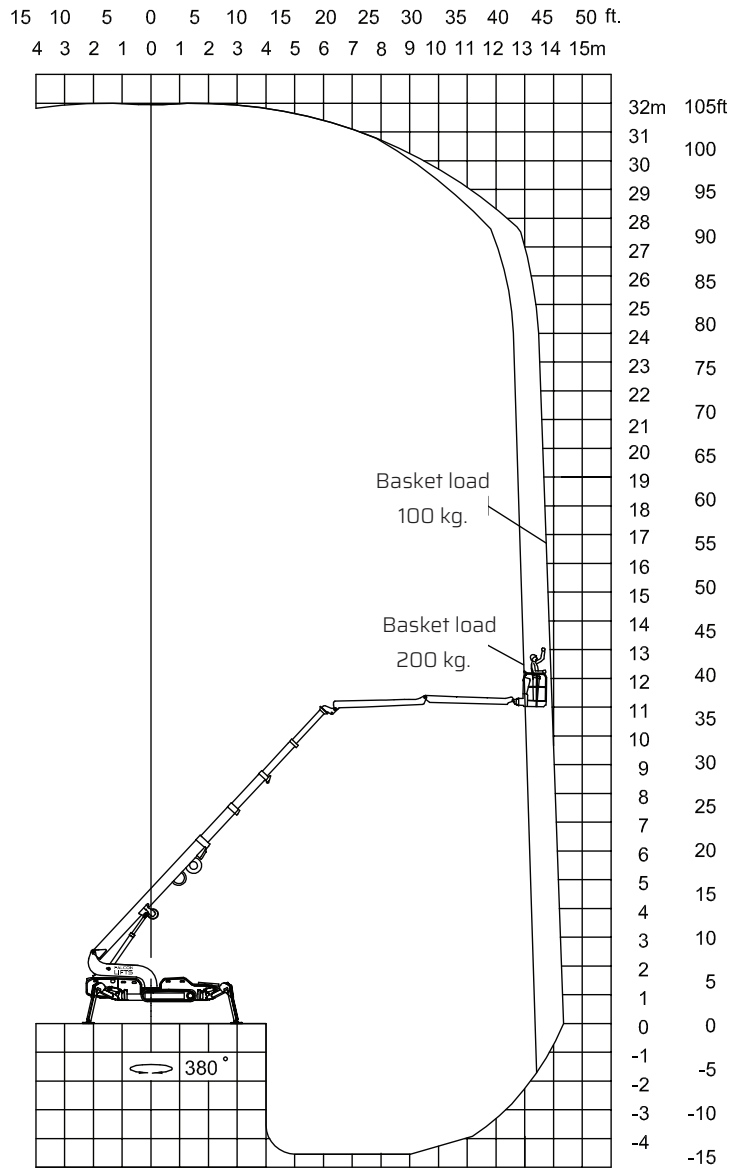
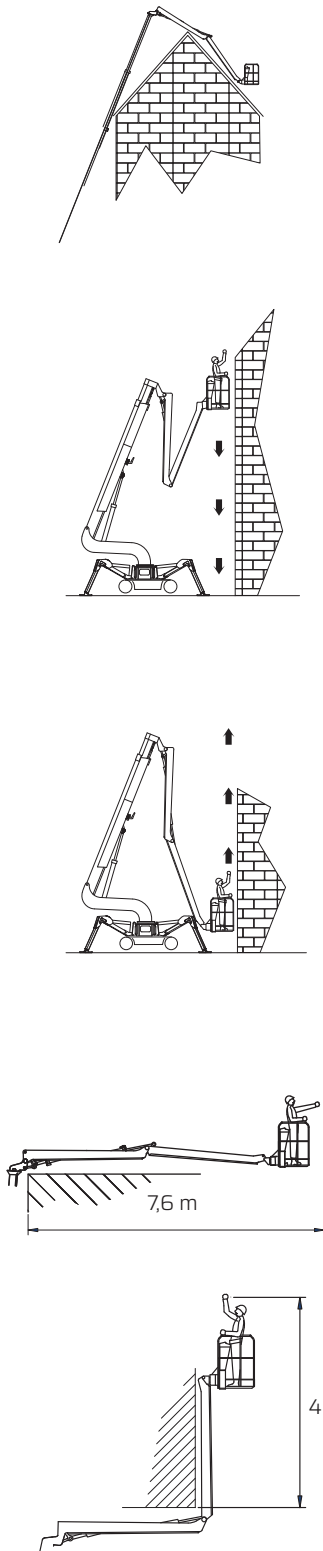
Tolderlundsvej 106  
DK-5000 Odense C  
Tel: +45 66 13 11 00

falconlifts.com

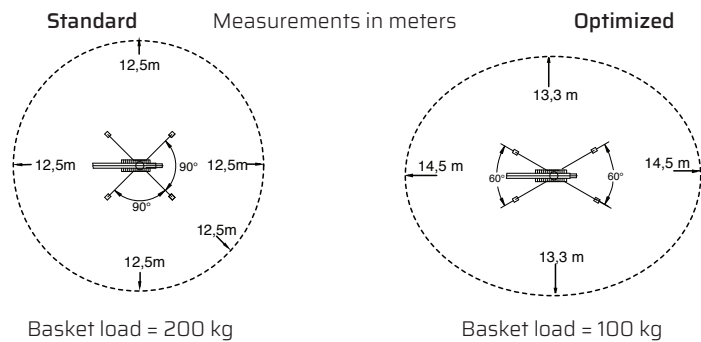


# FALCON 320 *Vario*

## Reach diagram - Optimized position



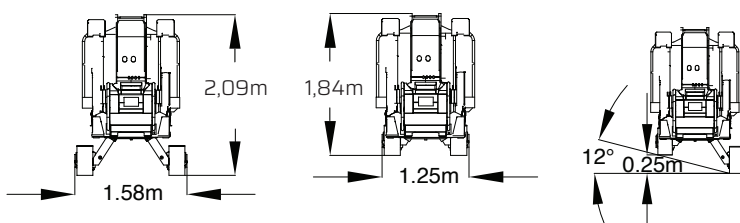
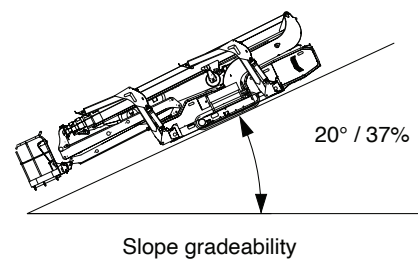
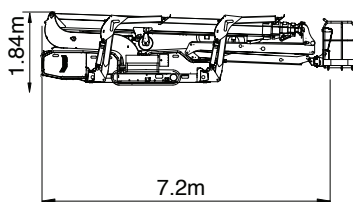
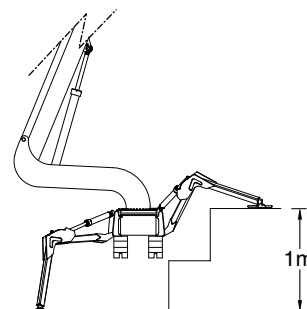
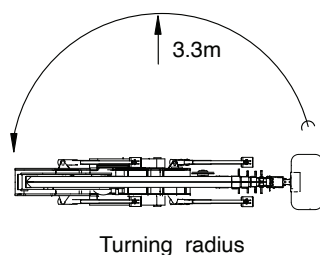
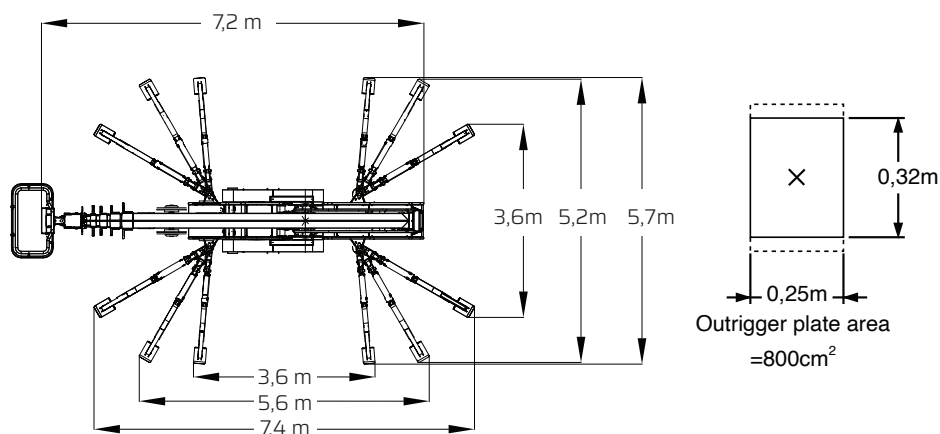
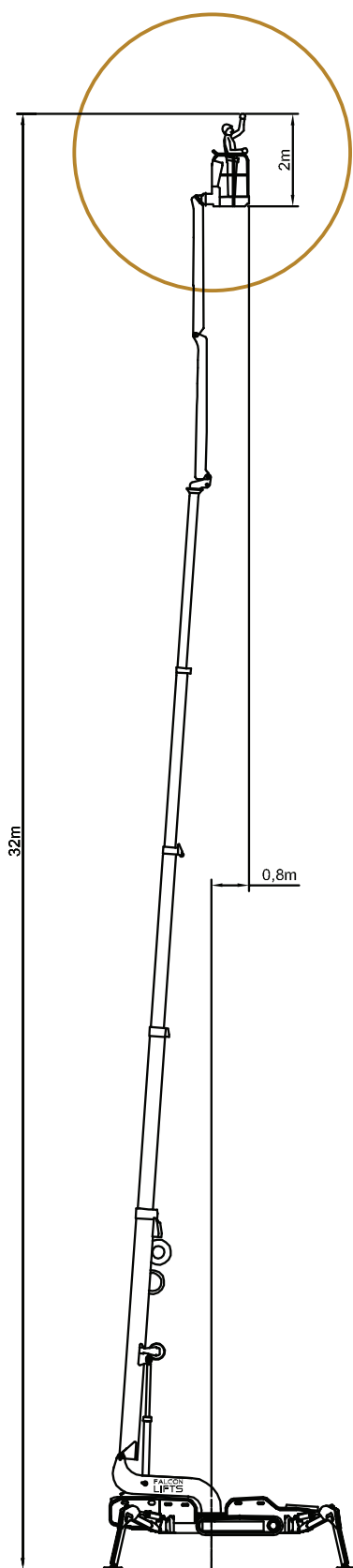
## Reach with outriggers in different positions



All measurements are intended as guide. Choise of equipment may change the mentioned measurements

# FALCON 320 *Vario*

## Outer measurements



## Additional info:

### Weight and ground pressure:

Weight with standard equipment	5550	kg.
Surface pressure under crawlers (soft surface)	0,80	kg/cm <sup>2</sup>
Surface pressure under crawlers (hard surface)	1,60	kg/cm <sup>2</sup>
Max. ground pressure under 1 outrigger plate	3,75	kg/cm <sup>2</sup>