

FALCON LIFTS A/S

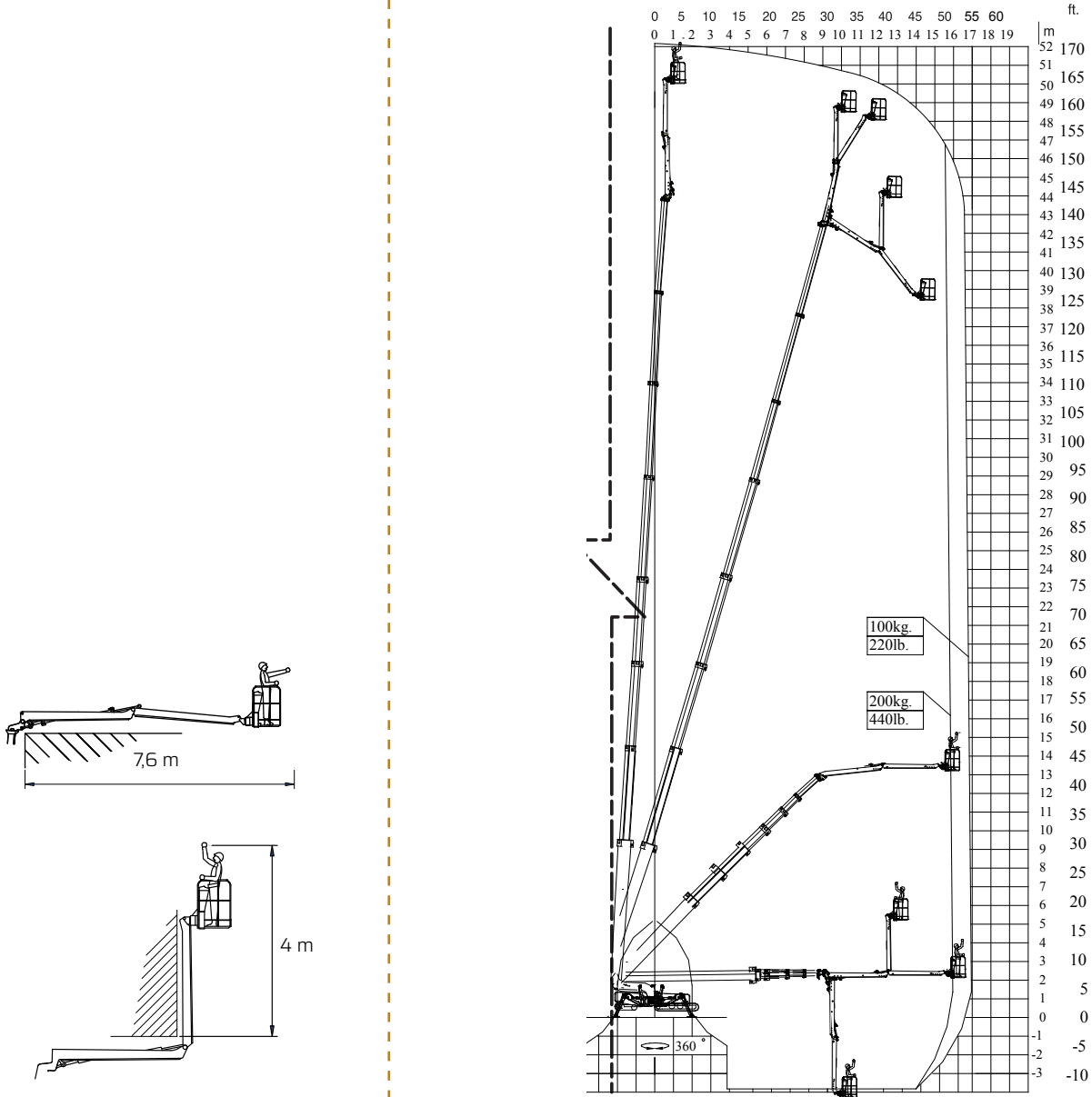
Tolderundsvej 106
DK-5000 Odense C
Tel: +45 66 13 11 00

falconlifts.com



FALCON FS 520C

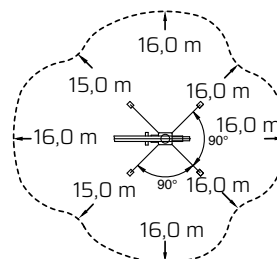
Reach diagram - Optimized position



Reach with outriggers in different positions

Standard

Measurements in meters

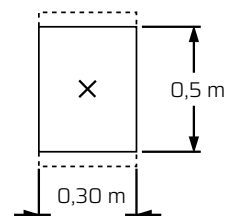
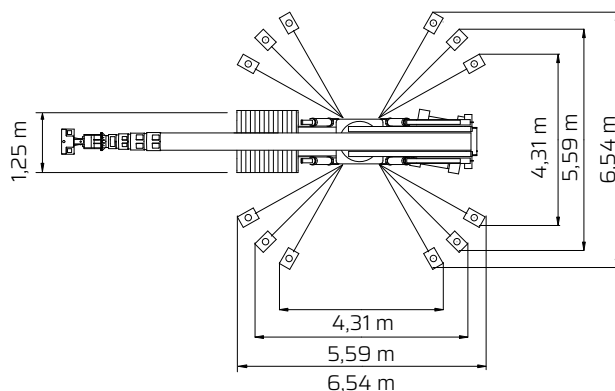
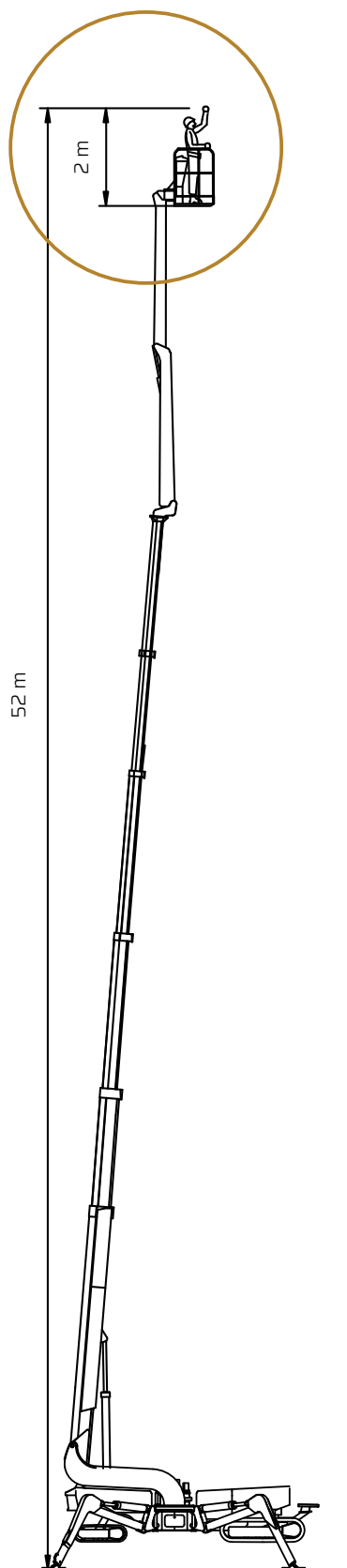


Basket load = 200 kg

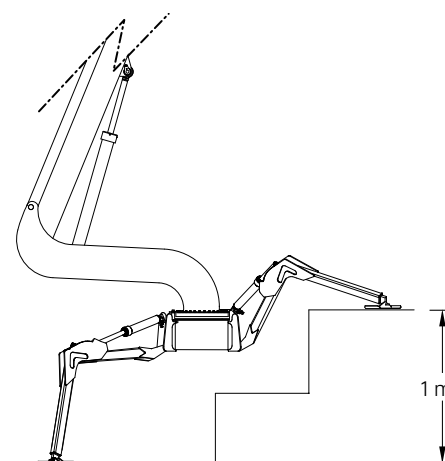
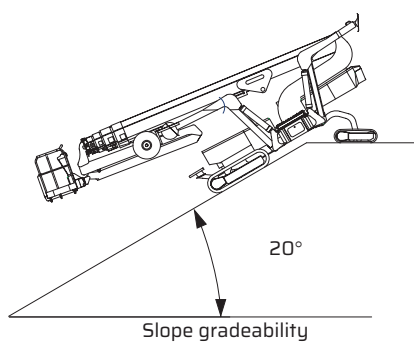
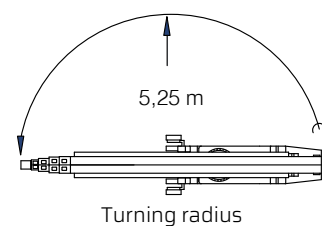
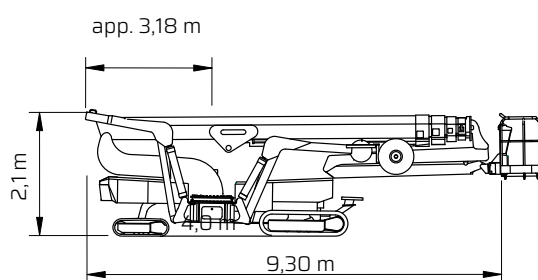
All measurements are intended as guide. Choise of equipment may change the mentioned measurements

FALCON FS 520C

Outer measurements



Outrigger plate area = 1500 cm²



Additional info:

Weight and ground pressure:

Weight with standard equipment	13500	kg.
Surface pressure under crawlers (soft surface)	0,85	kg/cm ²
Surface pressure under crawlers (hard surface)	1,20	kg/cm ²
Max. ground pressure under 1 outrigger plate	3,60	kg/cm ²