

FALCON LIFTS A/S

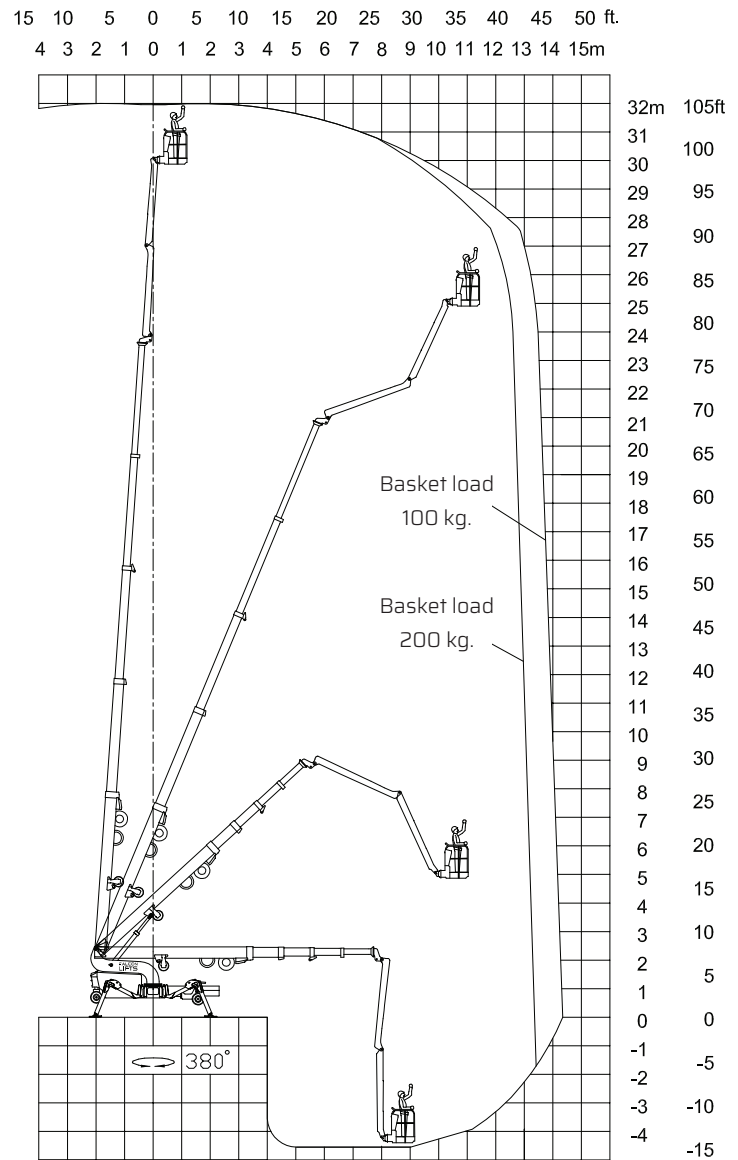
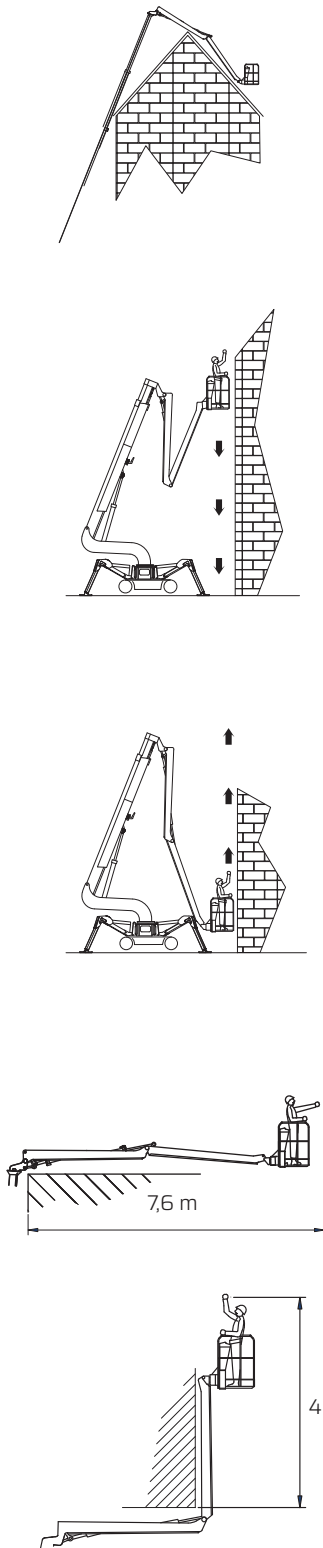
Tolderlundsvej 106
DK-5000 Odense C
Tel: +45 66 13 11 00

falconlifts.com



FALCON 320 *Wheel*

Reach diagram - Optimized position

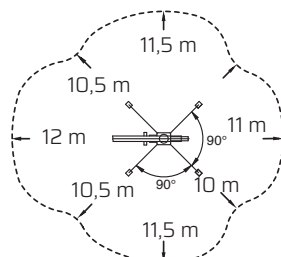


Reach with outriggers in different positions

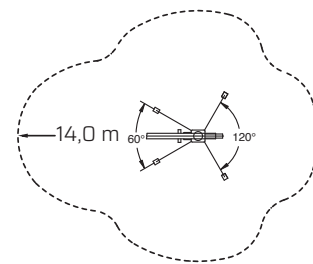
Standard

Measurements in meters

Optimized



Basket load = 200 kg

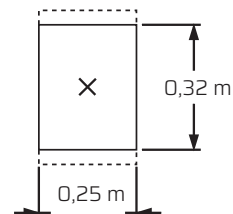
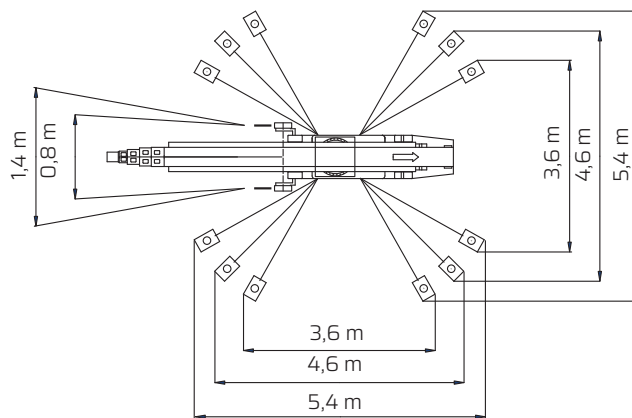
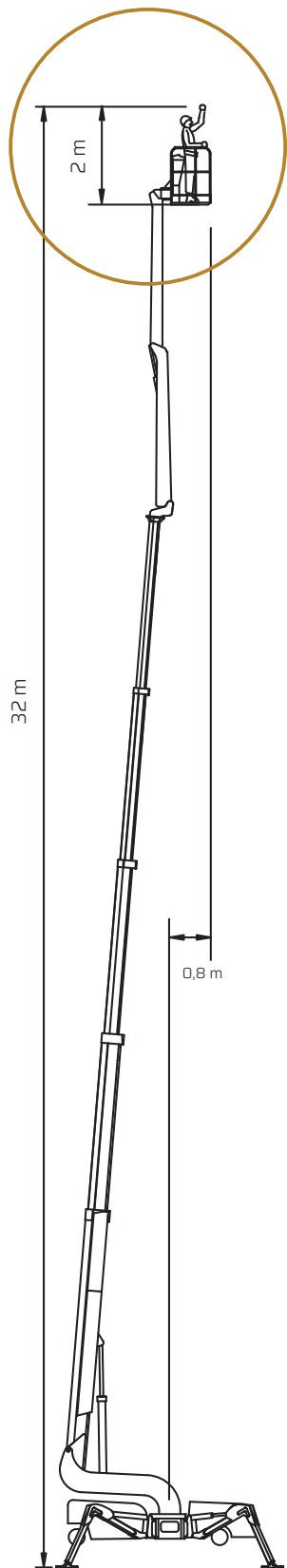


Basket load = 100 kg

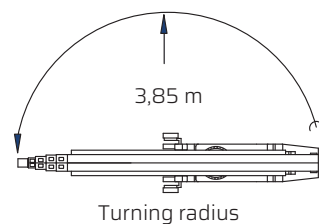
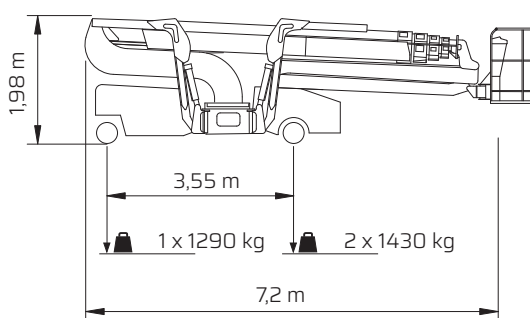
All measurements are intended as guide. Choise of equipment may change the mentioned measurements

FALCON 320 *Wheel*

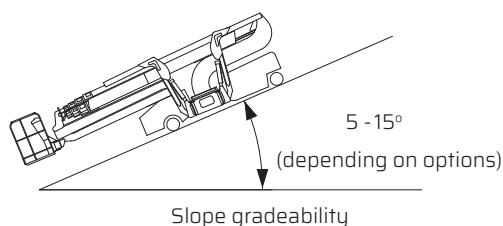
Outer measurements



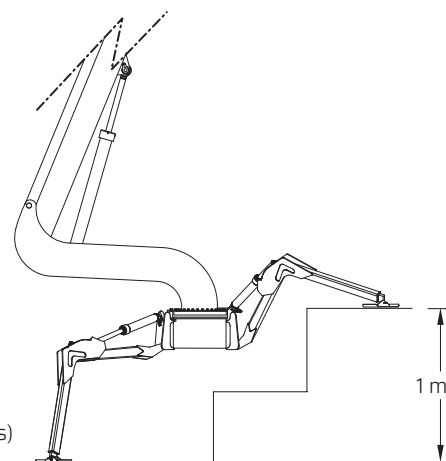
Outrigger plate area
= 800 cm²



Turning radius



Slope gradeability



Additional info:

Weight and ground pressure:

Weight with standard equipment	4150	kg.
Max. ground pressure under 1 wheel	8,0	kg/cm ²
Max. ground pressure under 1 outrigger plate	2,9	kg/cm ²
Front wheel area (depending on wheel type)	1 x 170	cm ²
Rear wheel area (depending on wheel type)	2 x 179	cm ²