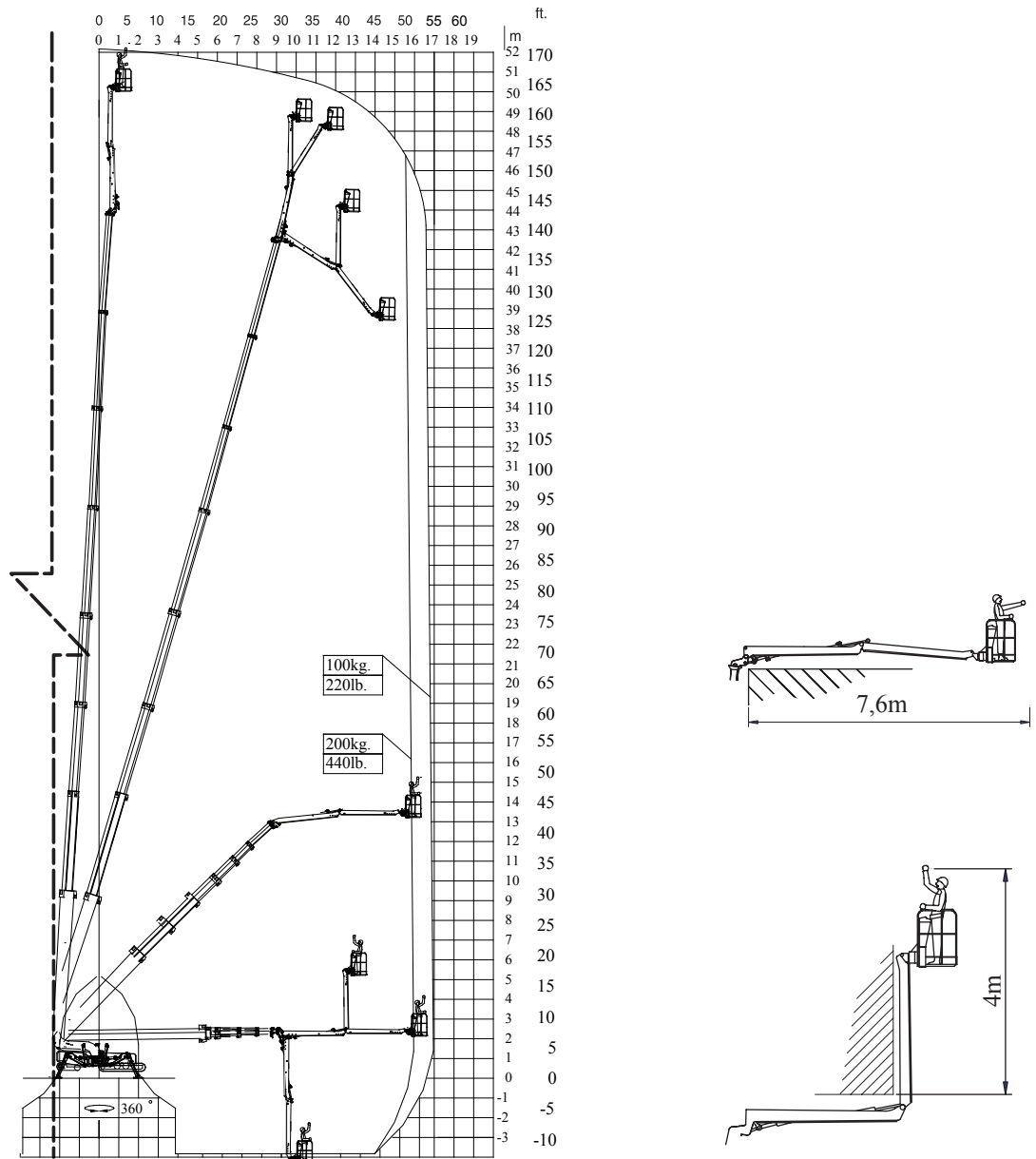


# FALCON FS520C

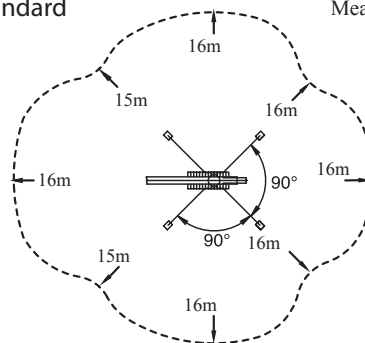
## Reach diagram — Optimised position



## Reach with outriggers in different positions

Standard

Measurements in meters



Basket load = 200kg

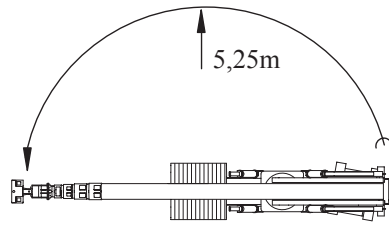
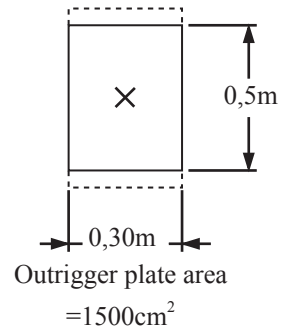
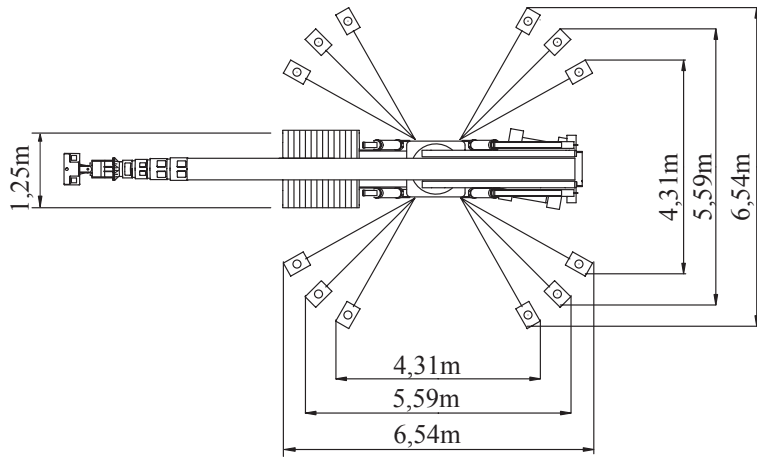
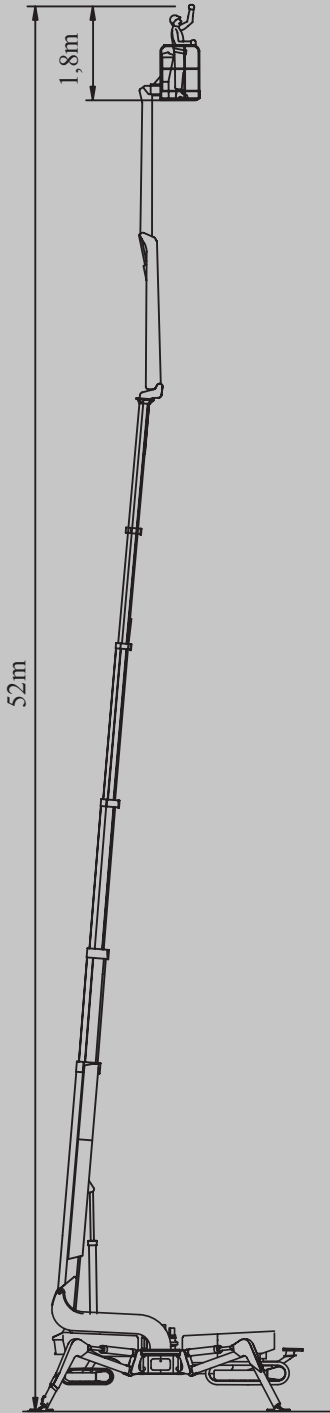
**TCA LIFT A/S**

Tolderlundsvej 106  
DK • 5000 Odense C  
Tel.: +45 66 13 11 00

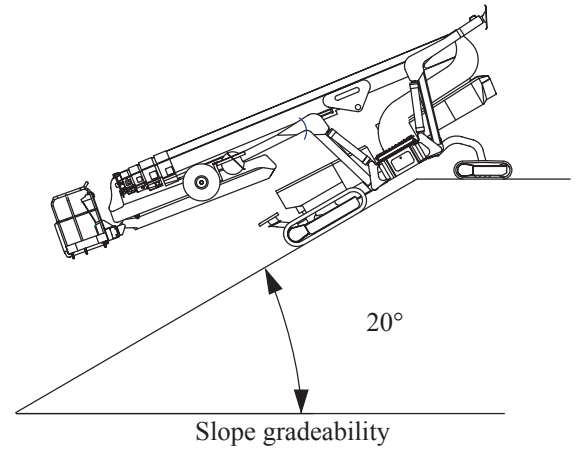
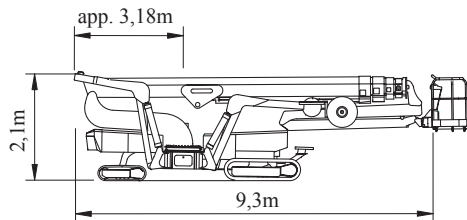
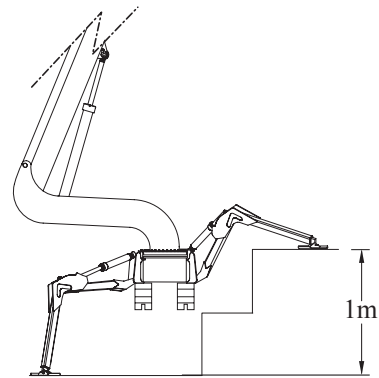
[www.tcalift.com](http://www.tcalift.com)

All measurements are intended as guide. Choice of equipment may change the mentioned measurements

**TCA LIFT**  
Tall Compact Aerial



Turning radius



## Additional info:

Weight and ground pressure:

Weight with standard equipment	13500 kg
Surface pressure under crawlers (soft surface)	0,85 kg/cm <sup>2</sup>
Surface pressure under crawlers (hard surface)	1,20 kg/cm <sup>2</sup>
Max. ground pressure under 1 outrigger plate	3,60 kg/cm <sup>2</sup>

*As all our products are in a constant process of development we reserve the right to alterations*