



## FS320C Vario **FALCON**

**Model:** FS320C Vario

Working height: 32 m  
Maximum reach: 14-15 m

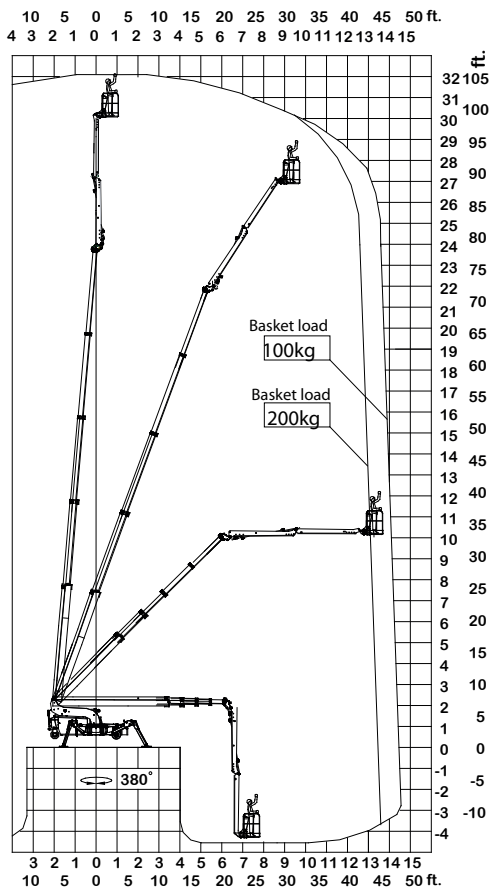
Linkarm (2 x 3 m): 6 m  
Double linkarm: 200°  
Basket load: 200 kg  
Aluminium basket: (0,8 x 1,4 m)  
Basket rotation (option): +/- 90°  
Turret rotation: 375°

Dimensions (transport position)  
Total height: 1,84-2,09 m  
Total length: 7,20 m  
Total width: 1,25-1,58 m\*  
Gradability (standard): 20° / 37%  
Weight approx.: 5550 kg\*

\*Depending on optional equipment

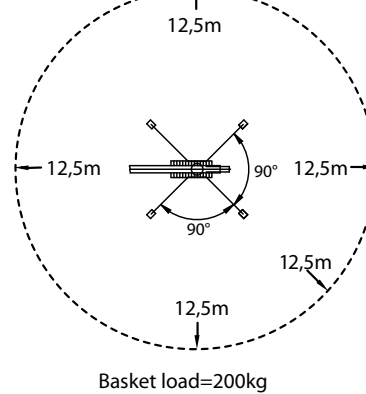


## FS320C Vario

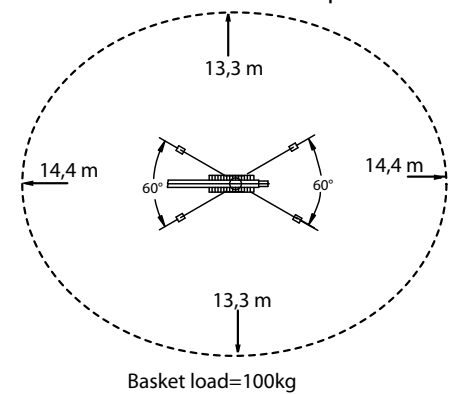


Measurements in meters

### Standard



### Optimized



### Standard equipment:

- Automatic stability & outreach control
- Computer controlled (can-bus)
- Proportional control of all functions
- Self-propelled
- Battery powered with charger (180 Ah)
- Double link-arm system
- 375° turret rotation, with integrated stop
- Individual setting of each outrigger
- Electronic checking of the power system (PLC)
- Manual pump system for emergency lowering
- Ability to self-load onto trucks or trailers
- Height adjustable crawlers
- Adjustable crawlers 1,25-1,58 m
- Minimum width only 1,25 m
- Space for tools etc. in basket
- Storage room with lock in chassis
- Diesel engine Kubota 3 cyl. 21.7 kW
- Wireless remote control of all functions
- Service tool (Remote access via laptop)
- Non marking crawlers
- Slope alarm

### Options:

- 180° basket rotation
- 220V AC power supply in the basket
- Air / water supply in the basket
- Sensor system on basket
- 400V AC direct powered electro motor
- 4 pcs extra batteries
- Autosetting/levelling
- Cover
- Special outrigger footplates
- Basket in various sizes
- Anemometer wind warning system
- Special colour
- Height control switch
- GSM module for remote access and monitoring
- Anti entrapment device