

FALCON LIFTS A/S

Tolderundsvej 106  
DK-5000 Odense C  
Tel: +45 66 13 11 00

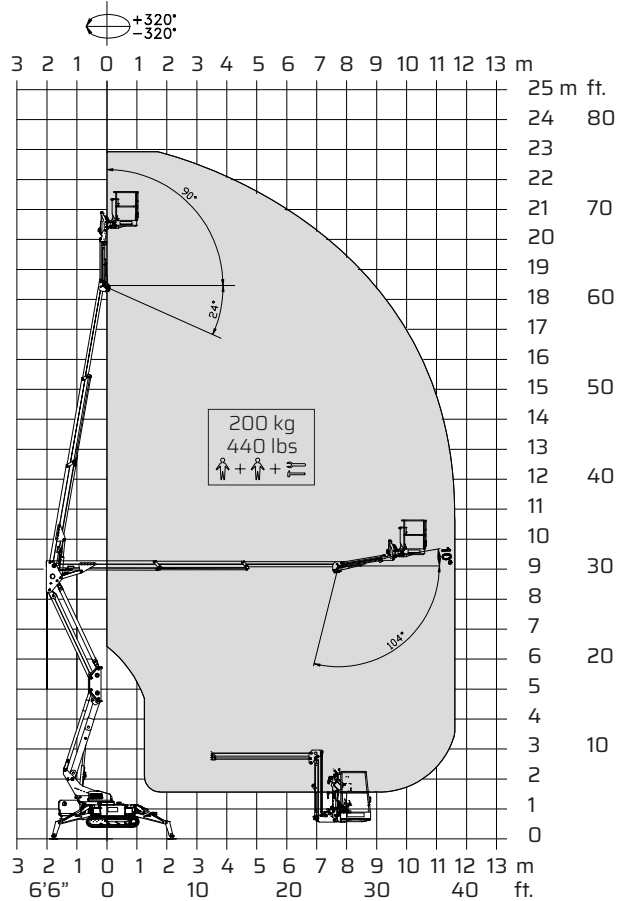
falconlifts.com



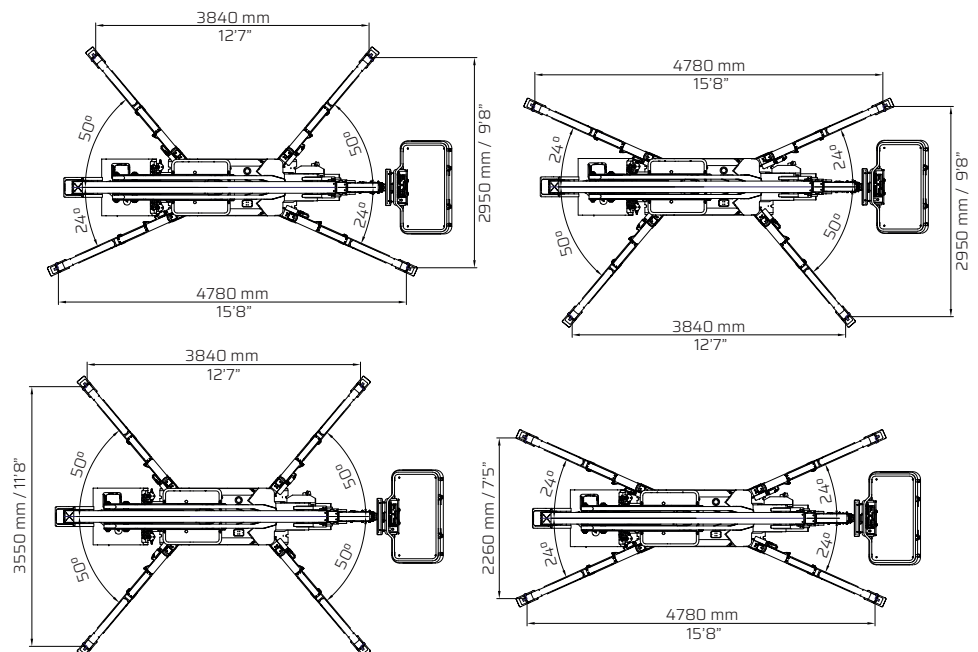
# FALCON 230Z

## FALCON 76Z

### Reach diagram



### Different outrigger position

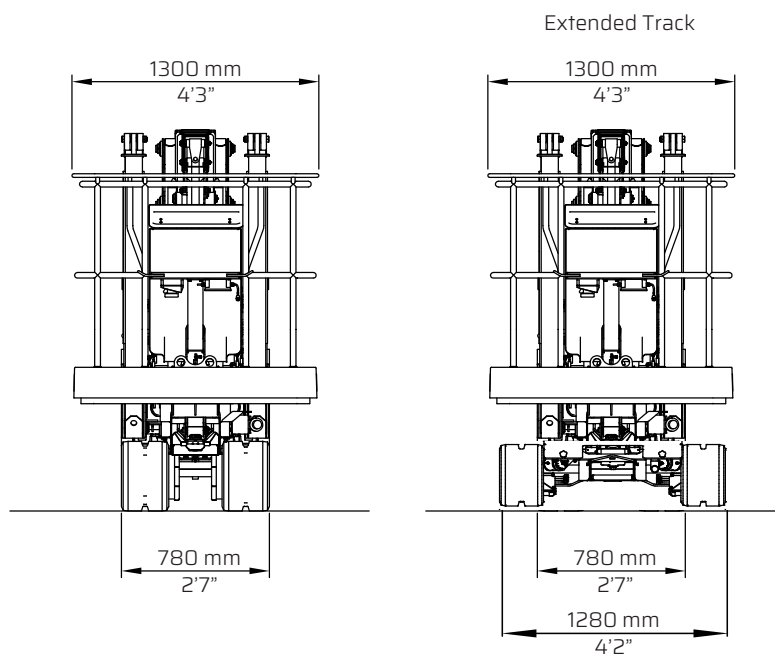
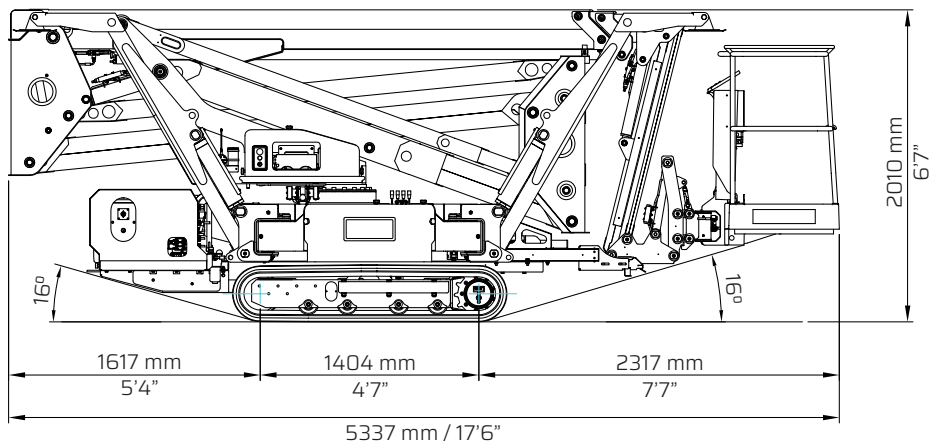


All measurements are intended as guide. Choise of equipment may change the mentioned measurements

# FALCON 230Z

## FALCON 76Z

### Outer measurements



### Additional info:

	<b>Metric</b>	<b>US</b>
Weight with standard equipment	2900 kg	6380 lbs
Surface pressure under tracks (soft surface)	0,50 kg/cm <sup>2</sup>	7 psi
Surface pressure under tracks (hard surface)	1,01 kg/cm <sup>2</sup>	14 psi
Max. ground pressure under 1 outrigger plate	7,24 kg/cm <sup>2</sup>	103 psi
Working height	23 m	75'6"
Maximum reach	12,0 m	39'4"
Basket load	200 kg	440 lbs