

FALCON LIFTS A/S

Tolderlundsvej 106  
DK-5000 Odense C  
Tel: +45 66 13 11 00

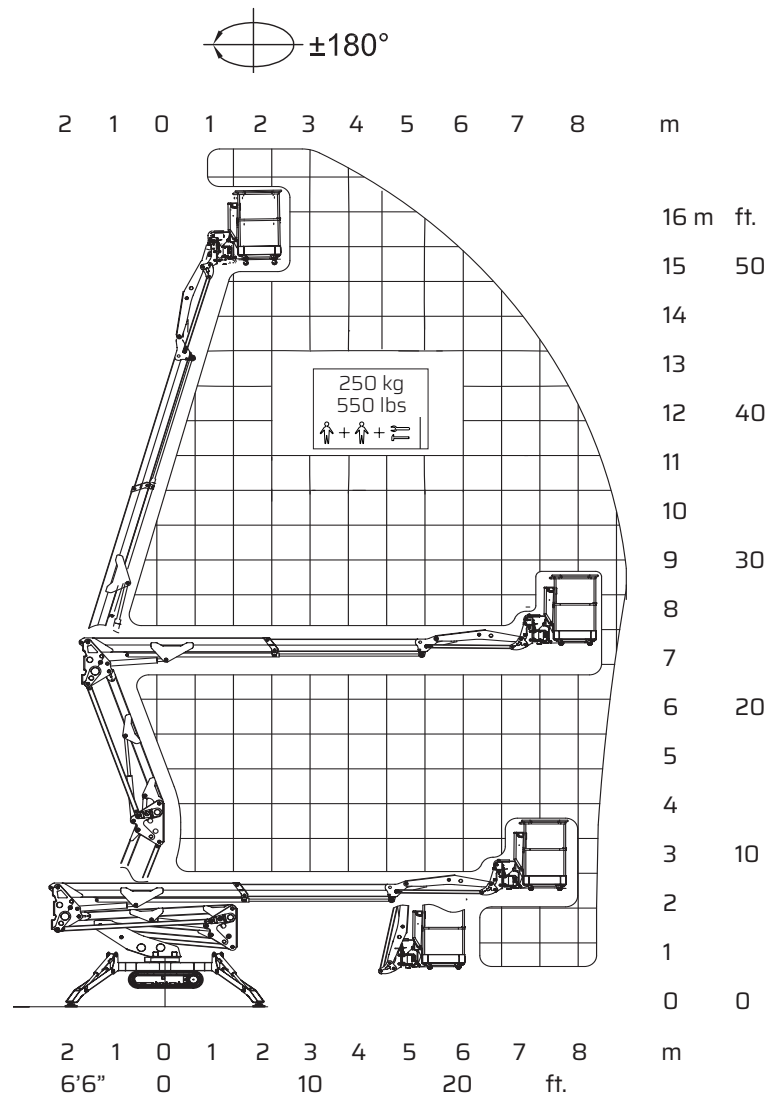
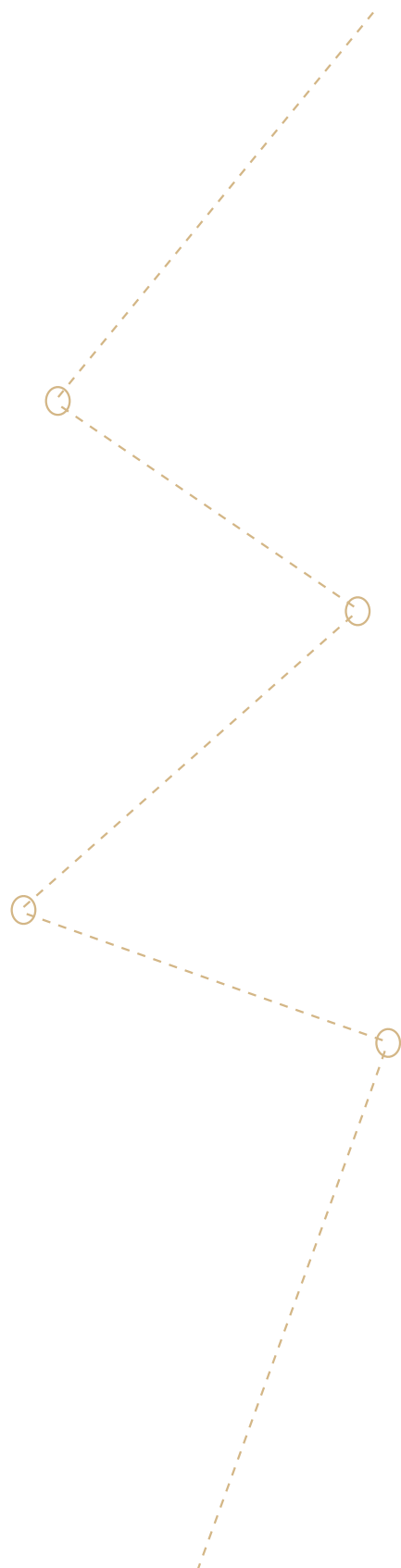
falconlifts.com



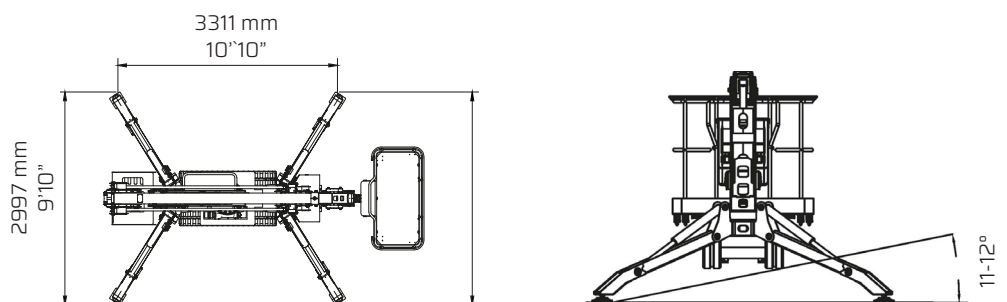
# FALCON 160Z

## FALCON 53Z

### Reach diagram



### Outrigger position

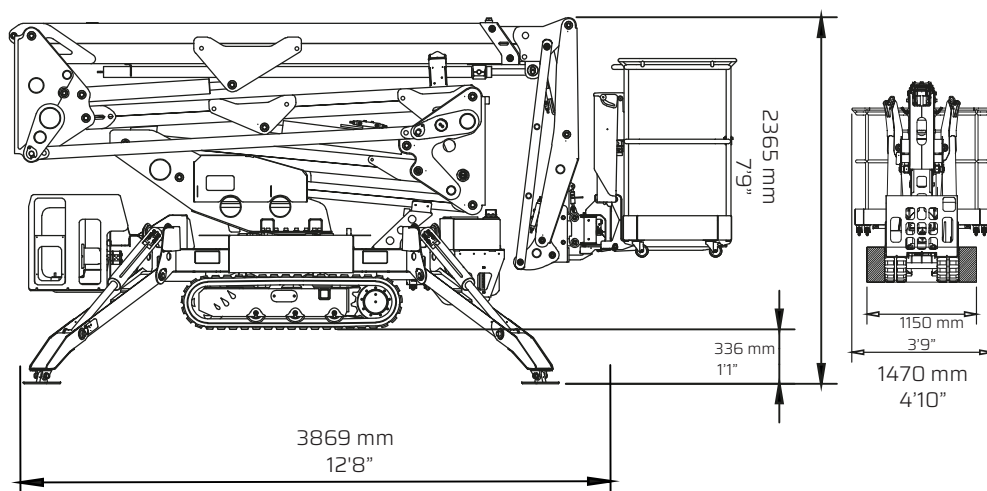
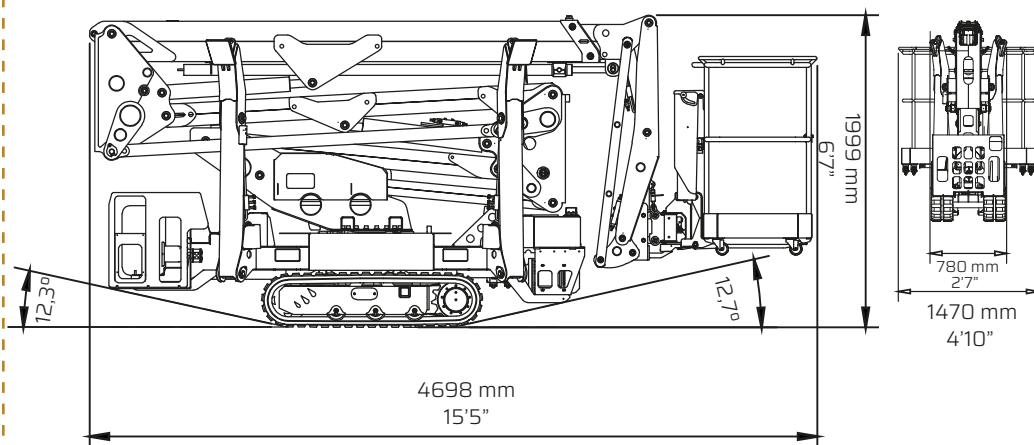


All measurements are intended as guide. Choise of equipment may change the mentioned measurements

# FALCON 160Z

## FALCON 53Z

### Outer measurements



### Additional info:

	Metric	US
Weight with standard equipment	2400 kg	5280 lbs
Surface pressure under tracks (soft surface)	0,7 kg /cm <sup>2</sup>	10 psi
Surface pressure under tracks (hard surface)	1,4 kg /cm <sup>2</sup>	20 psi
Max. ground pressure under 1 outrigger plate	6,17 kg /cm <sup>2</sup>	88 psi
Working height	15,80 m	51'10"
Maximum reach	8,0 m	26'3"
Basket load	250 kg	550 lbs

As all our products are in a constant process of development we reserve the right to alterations